

**SINGER**  
175-62,-63

Form 20969  
(658)  
Printed in U.S.A.

# LIST OF PARTS



From the library of: Diamond Needle Corp

# SINGER<sup>\*\*</sup> MACHINES Nos. 175-62 and 175-63

---

THE SINGER MANUFACTURING COMPANY

<sup>\*\*</sup> A Trademark of THE SINGER MANUFACTURING COMPANY

# INSTRUCTIONS FOR OILING

To insure easy running and prevent unnecessary wear of the parts which are in movable contact, the machine requires oiling and when in continuous use, "TYPE B" or "TYPE D" OIL, sold by Singer Sewing Machine Company, should be applied daily to all oil holes and points of contact marked "OIL", as instructed in Form 20544.

"TYPE D" OIL should be used when an oil is desired which will produce a minimum of stain on fabrics, even after a long period of storage.

## INDEX

	Page
Accessories .....	32
Bed Work Supports .....	29
Belt and Pulley Guards .....	34
Button Clamps .....	18
Button Holders .....	27
Clamps .....	28
Feed Plates .....	30
Machine Base .....	32
Machine No. 175-62 .....	7
Machine No. 175-63 .....	17
Numerical List of Parts .....	35
Starting Lever and Foot Lifter Parts .....	33
Stay Button Holders .....	30
Table Belt Guide .....	34
Thread Unwinder .....	33
Work Supports .....	31

From the library of: Diamond Needle Corp

## INSTRUCTIONS FOR ORDERING

In ordering from this list, use ONLY the part NUMBER in the FIRST column.

The number stamped on a Sewing Machine Part is in every case the number of the single part only.

Every combination of parts sent out as such has its specific number, which, although not stamped on the parts, must be used when ordering the combination.

Each number always indicates the SAME PART in whatever list it appears, or for whatever machine.

The letters after some of the numbers indicate the style of finish only, as follows:

- A—Hardened, Polished, Nickel Plated and Buffed
- B—Polished, Nickel Plated and Buffed
- C—Hardened Only
- D—Polished Only
- E—Soft, Not Polished
- F—Hardened and Polished
- G—Bright Rumbled and Nickel Plated
- H—Blued
- J—Nickel Plated Only
- K—Hardened and Nickel Plated
- L—Brass Plated
- M—Oxidized
- R—Phosphate Coating Formed on Surface of Iron or Steel
- S—Cadmium Plated
- T—Copper Plated
- U—Zinc Plated
- V—Silver Plated
- W—Polished and Nickel Plated
- X—Black Oxide for Iron and Steel
- Y—Black Nickel Plated Only
- Z—Chromium Plated
- A.A—Buffed and Chromium Plated
- A.B—Hardened, Polished, Buffed and Chromium Plated
- A.E—Hardened, Bright Rumbled and Nickel Plated
- A.F—Hardened, Bright Rumbled, Nickel Plated, Bright Rumbled and Chromium Plated
- A.G—Alumilite (Plain)
- A.H—Alumilite (Dyed) Color Must be Stated
- A.J—Polished, Nickel Plated and Chromium Plated
- A.K—Hardened, Polished, Nickel Plated and Chromium Plated
- A.L—Heat Treated for Toughness
- A.L.D—Heat Treated for Toughness and Polished
- A.L.X—Heat Treated for Toughness and Black Oxide

## INSTRUCTIONS FOR ORDERING

- A.S—Black Moulded Phenolic
- A.T—Beige Moulded Phenolic
- A.U—Brown Moulded Phenolic
- A.W—Hardened then Flame Coated with Tungsten Carbide
- B.A—Chrome Nickel Satin Finish
- B.B—Hardened and Chrome Nickel, Satin Finished
- C.R—Hardened and Phosphate Coating Formed on Surface of Steel
- F.J—Hardened, Polished and Nickel Plated
- T.A—Hardened, Polished, Copper and Nickel Plated and Buffed
- T.B—Copper and Nickel Plated and Polished
- T.J—Copper and Nickel Plated Only
- T.K—Hardened, Copper and Nickel Plated
- T.L—Copper and Brass Plated
- T.M—Copper Plated and Oxidized
- X.C—Hardened and Black Oxide for Iron and Steel
- Z.A—Hardened, Polished Nickel Plated, Buffed and Chromium Plated
- Z.B—Polished, Nickel Plated, Buffed and Chromium Plated
- Z.C—Hardened and Chromium Plated
- Z.D—Polished and Chromium Plated
- Z.G—Bright Rumbled, Nickel Plated, Bright Rumbled and Chromium Plated
- Z.J—Nickel and Chromium Plated
- Z.T—Copper and Chromium Plated

These letters MUST BE USED when they appear in the list; and AFTER the number as in the list.

In this series:

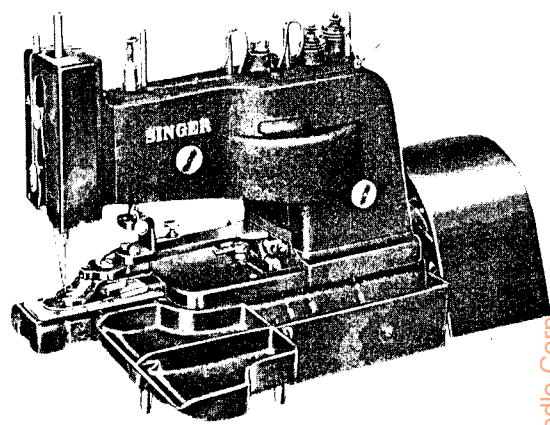
1 to 1500, 50001 to 51500 and 140001 to 142,000 are screw numbers  
1501 to 1800 and 51500 to 51800 are nut numbers  
1801 to 2000 and 51801 to 52000 are roller numbers  
2001 to 50000 and 52001 to 140000 and 142001 to 190000 are Sewing Machine Parts, 190001 and upward are numbers of Electrical Parts.

The figures in the second column refer only to the plates, illustrating the parts, and are NOT TO BE USED in ordering.

Parts marked with an asterisk (\*) are furnished only when repairs are made at the factory.

from the library of: Diamond Needle Corp

LIST OF PARTS COMPLETE  
FOR



MACHINE No. 175-62

FOR SEWING TWO- OR FOUR-HOLE FLAT BUTTONS FROM 20 TO 45 LIGNE, THROUGH AND THROUGH STITCH, CLOSE TO THE MATERIAL. MAKES TWO PARALLEL BARS IN FOUR-HOLE BUTTONS ACROSS THE CYLINDER WITH ONE RIGHT ANGLE CROSS-OVER STITCH, 15 STITCHES, INCLUDING CROSS-OVER AND KNOTTING STITCHES. NEEDLE BAR STROKE 17/8 IN. MACHINE PULLEY (TIGHT) 175140. DIAMETER OF BELT GROOVE 2 3/4 IN. SPEED: 1000 DEPENDING ON MATERIAL USED AND OPERATIONS PERFORMED.

*175001	-----	Arm.....
8589	23335	Arm Dowel Pin (2).....
*175003	-----	Arm Rock Shaft.....
175340	23335	Arm Rock Shaft 175003 with 175007 and 175341.....
175005	23335	Arm Rock Shaft Crank (back) with 1177E, 1521J and 140016E.....
1177E	23335	Arm Rock Shaft Crank (back) Clamping Screw.....
140016E	23335	Arm Rock Shaft Crank (back) Position Screw.....
1521J	23335	Arm Rock Shaft Crank (back) Position Screw Lock Nut.....
*175341	-----	Arm Rock Shaft Crank (front).....
175007	23335	Arm Rock Shaft Crank (front) Pin.....
140017E	23335	Arm Screw (long) (3).....
670E	23335	Arm Screw (short).....
175008	23341	Arm Side Cover (left).....
230X	23341	Arm Side Cover (left) Screw (2).....
175009	23334	Arm Side Cover (right).....
175010	23334	Arm Side Cover (right) Screw Stud (long).....

From the library of: Diamond Needle Corp

No.	Plate	Name
175011	23334	Arm Side Cover (right) Screw Stud (short)
51649E	23334	Arm Side Cover (right) Screw Stud Lock Nut (2).....
51650B	23334	Arm Side Cover (right) Screw Stud Thumb Nut (2).....
*175825	-----	Bed.....
175013	-----	Bed End Cover (bottom).....
175751	23337	Bed End Cover (bottom) 175013 with 175016.....
175014	23337	Bed End Cover (bottom) Hinge Pin (left)...
175015	23337	Bed End Cover (bottom) Hinge Pin (right)...
175016	23337	Bed End Cover (bottom) Spring.....
175017	23337	Bed End Cover (bottom) Spring Hook.....
175862	23335	Bed Top Cover (back).....
140018W	23335	Bed Top Cover (back) Screw (2).....
175020	23343	Bed Top Cover (front).....
140019F	23343	Bed Top Cover (front) Screw (4).....
175422	-----	Button Clamp (left).....
175021	23347	Button Clamp (left) 175422 with 140021C, 175023 and 175622.....
175022	23347	Button Clamp (left) 175021 with 228J and 175026.....
175023	23347	Button Clamp (left) Button Stop.....
140020C	23347	Button Clamp (left) Hinge Screw.....
1498AL	23347	Button Clamp (left) Hinge Screw Lock Screw.....
140021C	23347	Button Clamp (left) Screw Stud.....
175026	23347	Button Clamp (left) Spring.....
228J	23347	Button Clamp (left) Spring Screw.....
175622	23347	Button Clamp (left) Spring Steady Pin....
175423	-----	Button Clamp (right).....
175027	23347	Button Clamp (right) 175423 with 140021C, 175029 and 175622.....
175028	23347	Button Clamp (right) 175027 with 228J and 175030.....
175029	23347	Button Clamp (right) Button Stop.....
140020C	23347	Button Clamp (right) Hinge Screw.....
1498AL	23347	Button Clamp (right) Hinge Screw Lock Screw.....
140021C	23347	Button Clamp (right) Screw Stud.....
175030	23347	Button Clamp (right) Spring.....
228J	23347	Button Clamp (right) Spring Screw.....
175622	23347	Button Clamp (right) Spring Steady Pin....
175031	23347	Button Clamp Adjusting Lever.....
680W	23347	Button Clamp Adjusting Lever Thumb Screw.....
175032	23347	Button Clamp Adjusting Lever Thumb Screw Washer.....
175806	23347	Button Clamp Arm.....
175034	23342	Button Clamp Arm Hinge Pin.....
175035	23342	Button Clamp Arm Hinge Pin Bracket....
160J	23342	Button Clamp Arm Hinge Pin Bracket Screw (2).....
175036	23342	Button Clamp Arm Hinge Pin Bracket Shim (.003 in. thick).....

No.	Plate	Name
175037	23342	Button Clamp Arm Hinge Pin Bracket Shim (.005 in. thick).....
175038	23342	Button Clamp Arm Hinge Pin Bracket Shim (.007 in. thick).....
175039	23342	Button Clamp Arm Hinge Pin Bracket Shim (.015 in. thick).....
175040	23347	Button Clamp Closing Spring.....
175041	23341	Button Clamp Lifting Arm with 176K, 190J and 1259AL.....
1259AL	23341	Button Clamp Lifting Arm Set Screw.....
175871	23341	Button Clamp Lifting Link.....
175873	-----	Button Clamp Lifting Link 51224X, 175814, 175871 and 175872.....
175814	23341	Button Clamp Lifting Link Hook (lower)...
175872	23341	Button Clamp Lifting Link Hook (upper)...
176C	23341	Button Clamp Lifting Link Screw (upper)...
190J	23341	Button Clamp Lifting Link Screw (upper) Lock Screw.....
51224X	23341	Button Clamp Lifting Link Thumb Screw...
175043	23341	Button Clamp Lifting and Thread Pull-off Holder Shaft.....
175044	23341	Button Clamp Lifting and Thread Pull-off Holder Shaft Collar with 458AL.....
458AL	23341	Button Clamp Lifting and Thread Pull-off Holder Shaft Collar Set Screw.....
175045	23341	Button Clamp Lifting and Thread Pull-off Holder Shaft Spring.....
175046	23341	Button Clamp Lifting and Thread Pull-off Holder Shaft Spring Collar with 458AL...
458AL	23341	Button Clamp Lifting and Thread Pull-off Holder Shaft Spring Collar Set Screw....
175047	23346	Button Clamp Lifting Rod.....
175048	23341	Button Clamp Lifting Rod Arm with 160E and 50269AL.....
160E	23341	Button Clamp Lifting Rod Arm Clamping Screw.....
50269AL	23341	Button Clamp Lifting Rod Arm Position Screw.....
175049	23346	Button Clamp Lifting Rod Arm Stop Plate..
160J	23346	Button Clamp Lifting Rod Arm Stop Plate Screw (2).....
175032	23346	Button Clamp Lifting Rod Arm Stop Plate Screw Washer (2).....
42830	23346	Button Clamp Lifting Rod Cotter Pin.....
175050	23346	Button Clamp Lifting Rod Spring.....
175051	23346	Button Clamp Lifting Rod Spring Stop Collar with 160C.....
160C	23346	Button Clamp Lifting Rod Spring Stop Collar Set Screw.....
175365	23346	Button Clamp Presser Bar.....
175053	23346	Button Clamp Presser Bar Collar with 458AL.....
458AL	23346	Button Clamp Presser Bar Collar Set Screw.....

From the Front Dial for Medical Co.

No.	Plate	Name
175054	23346	Button Clamp Presser Bar Screw Bearing
175055	23346	Button Clamp Presser Bar Spring.....
140023X	23346	Button Clamp Pressure Regulating Thumb Screw.....
1722X	23346	Button Clamp Pressure Regulating Thumb Screw Lock Nut.....
175056	23347	Button Clamp Spreader and Button Stop...
175734	23347	Button Clamp Spreader and Button Stop 175056 with 175058 and two 1472J.....
175057	23347	Button Clamp Spreader and Button Stop Base with two 1498AL.....
140024AL	23347	Button Clamp Spreader and Button Stop Base Screw (2).....
175032	23347	Button Clamp Spreader and Button Stop Base Screw Washer (2).....
140265W	23347	Button Clamp Spreader and Button Stop Screw.....
51688J	23347	Button Clamp Spreader and Button Stop Screw Nut.....
175058	23347	Button Clamp Spreader Handle.....
1472J	23347	Button Clamp Spreader Handle Screw (2) .
175059	-----	Button Clamp complete, Nos. 51688J, 140265W, 175022, 175028, 175040, 175057, 175734 and two 140020C.....
175726	23347	Button Clamp 175059 with 680W, 175031, 175806, two 140024AL and three 175032, for 20 to 45 ligne two or four hole flat buttons.....
175771	23343	Face Plate with 624AL.....
175772	23343	Face Plate 175771 with 185J, 175062, 175063, 175065, 175066, 175774, 175776 and 202098.....
120X	23343	Face Plate Screw (2).....
175062	23343	Face Plate Thread Guide (lower) Plate...
185J	23343	Face Plate Thread Guide (lower) Plate Screw.....
175063	23343	Face Plate Thread Guide (lower) Plate Screw Spacing Collar.....
202098	23343	Face Plate Thread Guide (lower) Roller..
175065	23343	Face Plate Thread Guide (lower) Roller Pin.....
175066	23343	Face Plate Thread Guide (upper).....
175773	23343	Face Plate Thread Retainer Sleeve.....
175774	23343	Face Plate Thread Retainer Spring.....
175775	23343	Face Plate Thread Retainer Stud.....
175776	-----	Face Plate Thread Retainer Stud 175775 with 175773.....
624AL	23343	Face Plate Thread Retainer Stud Set Screw.....
175865	23345	Feed Cam.....
175866	23338	Feed Cam Driving Worm.....
175069	23338	Feed Cam Driving Worm Pin.....
175867	23345	Feed Cam Driving Worm Wheel with 175229 and two 140026C.....

No.	Plate	Name
140026C	23345	Feed Cam Driving Worm Wheel Set Screw (2).....
175071	23345	Feed Cam Driving Worm Wheel Shaft.....
175868	-----	Feed Cam Driving Worm Wheel Shaft 175071 with 175860 and 175869.....
127X	23345	Feed Cam Screw (2).....
175032	23345	Feed Cam Screw Washer (2).....
175685	23347	Feed Plate with two 175857.....
175073	23342	Feed Plate Carrier.....
*175074	-----	Feed Plate Carrier Driving Arm with 458AL and 51923.....
175796	23342	Feed Plate Carrier Driving Arm Pin.....
51923	23342	Feed Plate Carrier Driving Arm Roller and Screw Stud.....
458AL	23342	Feed Plate Carrier Driving Arm Set Screw
175075	23342	Feed Plate Carrier Guide Block (left)....
190J	23342	Feed Plate Carrier Guide Block (left) Screw (2).....
175076	23342	Feed Plate Carrier Guide Block (right)....
190J	23342	Feed Plate Carrier Guide Block (right) Screw (2).....
51667C	23342	Feed Plate Carrier Regulating Nut with 175549.....
175548	23342	Feed Plate Carrier Regulating Nut Screw Stud.....
175739	-----	Feed Plate Carrier Regulating Nut Screw Stud 175548 with 175078.....
175078	23342	Feed Plate Carrier Regulating Nut Screw Stud Slide Block.....
175079	23342	Feed Plate Carrier Regulating Nut Screw Stud Washer.....
175549	23342	Feed Plate Carrier Regulating Nut Tighten- ing Handle.....
*175081	-----	Feed Plate Carrier Regulator.....
175627	23342	Feed Plate Carrier Regulator 175081 with 228X, 175074 and 175796.....
175083	23342	Feed Plate Carrier Regulator Spring.....
160J	23342	Feed Plate Carrier Regulator Spring Screw (bed end).....
228X	23342	Feed Plate Carrier Regulator Spring Screw (regulator end).....
175692	23342	Feed Plate Holder.....
227X	23342	Feed Plate Holder Screw (2).....
175589	23342	Feed Plate Spring.....
175857	23347	Feed Plate Stud (2).....
175085	23337	Looper.....
175594	23338	Looper Driving Shaft Bushing with 175092..
51183E	23338	Looper Driving Shaft Bushing Clamping Screw.....
175525	23338	Looper Driving Shaft Crank with 175090...
175089	23338	Looper Driving Shaft Crank Connecting Link.....
175090	23338	Looper Driving Shaft Crank Connecting Link Stud.....

For the Serial of Diminished Capacity

No.	Plate	Name
175660	23338	Looper Driving Shaft Crank Connecting Link 175089 with 175525 and 175529.....
1285AL	23338	Looper Driving Shaft Crank Position Screw .....
443AL	23338	Looper Driving Shaft Crank Set Screw.....
175092	23338	Looper Driving Shaft Gear Pin .....
458AL	23337	Looper Set Screw .....
175093	23337	Looper Shaft with 458AL.....
*175528	-----	Looper Shaft Crank with 175133 .....
*175529	-----	Looper Shaft Crank 175528 with two 140027C .....
140027C	23338	Looper Shaft Crank Set Screw (2).....
175133	23338	Looper Shaft Crank Stud .....
175096	23335	Machine Rest Stud .....
458AL	23335	Machine Rest Stud Set Screw (2).....
175396	23343	Needle Bar (hollow) with 200125F .....
175348	23343	Needle Bar Connecting Link.....
140028C	23343	Needle Bar Connecting Link Hinge Screw .....
1722X	23343	Needle Bar Connecting Link Hinge Screw Nut .....
175810	23343	Needle Bar Connecting Link Hinge Stud with 160E.....
175811	-----	Needle Bar Connecting Link Hinge Stud 175810 with 1492X, 175100 and 175101..
160E	23343	Needle Bar Connecting Link Hinge Stud Clamping Screw .....
175100	23343	Needle Bar Connecting Link Hinge Stud Thread Guide Plate .....
1492X	23343	Needle Bar Connecting Link Hinge Stud Thread Guide Plate Screw .....
175101	23343	Needle Bar Connecting Link Hinge Stud Thread Guide Roller .....
175349	23343	Needle Bar Connecting Stud (lower).....
51730X	23343	Needle Bar Connecting Stud (lower) Nut..
51652X	23343	Needle Bar Connecting Stud (lower Nut Lock Nut .....
175103	23343	Needle Bar Connecting Stud (lower) Washer .....
175104	23343	Needle Bar Connecting Stud (upper).....
51730X	23343	Needle Bar Connecting Stud (upper) Nut..
51652X	23343	Needle Bar Connecting Stud (upper) Nut Lock Nut .....
175103	23343	Needle Bar Connecting Stud (upper) Washer .....
175105	23338	Needle Bar Eccentric with 140027C.....
175106	23335	Needle Bar Eccentric Connecting Rod with 1521J, 140024AL, 175535 and two 140029E .....
140029E	23335	Needle Bar Eccentric Connecting Rod Cap Screw (2) .....
140024AL	23335	Needle Bar Eccentric Connecting Rod Clamping Screw .....
1521J	23335	Needle Bar Eccentric Connecting Rod Clamping Screw Nut .....

No.	Plate	Name
140031C	23335	Needle Bar Eccentric Connecting Rod Hinge Screw.....
51653E	23335	Needle Bar Eccentric Connecting Rod Hinge Screw Nut.....
175535	23335	Needle Bar Eccentric Connecting Rod Oil Pad (felt) .....
175108	23338	Needle Bar Eccentric Pawl with 175114 .....
175109	-----	Needle Bar Eccentric Pawl complete, Nos. 175108, 175110 and 175112 .....
175110	23338	Needle Bar Eccentric Pawl Bracket with 175111 .....
134E	23338	Needle Bar Eccentric Pawl Bracket Screw.....
175111	23338	Needle Bar Eccentric Pawl Bracket Steady Pin .....
175112	23338	Needle Bar Eccentric Pawl Hinge Pin.....
175113	23338	Needle Bar Eccentric Pawl Spring .....
175114	23338	Needle Bar Eccentric Pawl Spring Stud (2).....
175860	23338	Needle Bar Eccentric Pin.....
140027C	23338	Needle Bar Eccentric Set Screw.....
175869	23345	Needle Bar Vibrating Cam with 175185....
175860	23345	Needle Bar Vibrating Cam Pin .....
175120	23345	Needle Bar Vibrating Lever.....
175756	23345	Needle Bar Vibrating Lever Adjusting Bracket with 458AL and 1341AL.....
175759	-----	Needle Bar Vibrating Lever Adjusting Bracket 175756 with 175123 and 175770..
175757	23345	Needle Bar Vibrating Lever Adjusting Bracket Hinge Stud .....
175770	-----	Needle Bar Vibrating Lever Adjusting Bracket Hinge Stud 175757 with 175758..
1341AL	23345	Needle Bar Vibrating Lever Adjusting Bracket Hinge Stud Set Screw .....
175758	23345	Needle Bar Vibrating Lever Adjusting Bracket Hinge Stud Slide.....
51654J	23345	Needle Bar Vibrating Lever Adjusting Bracket Lock Nut .....
175123	23345	Needle Bar Vibrating Lever Adjusting Bracket Lock Nut Screw Stud.....
458AL	23345	Needle Bar Vibrating Lever Adjusting Bracket Lock Nut Screw Stud Set Screw ..
175125	23345	Needle Bar Vibrating Lever Adjusting Bracket Lock Nut Washer.....
175126	23345	Needle Bar Vibrating Lever Arm with 51923.....
140033C	23345	Needle Bar Vibrating Lever Arm Hinge Screw .....
51923	23345	Needle Bar Vibrating Lever Arm Roller and Screw Stud .....
140024AL	23345	Needle Bar Vibrating Lever Arm Screw...
175032	23345	Needle Bar Vibrating Lever Arm Screw Washer.....
140034C	23345	Needle Bar Vibrating Lever Hinge Screw..
140035C	23345	Needle Bar Vibrating Lever Hinge Screw Lock Screw.....

From the library of: Garion Needle Co.



No.	Plate	Name
175878	23345	Needle Bar Vibrating Lever Hinge Screw Slide with 140034C.....
175546	23337	Needle Guide complete with Thread Finger Nos. 175547, 175877 and two 218D.....
175877	-----	Needle Guide (less thread finger) with 175131.....
175130	23337	Needle Guide Cam with two 1259AL.....
1259AL	23337	Needle Guide Cam Set Screw (2).....
175861	23337	Needle Guide Oscillating Crank with 140159AL.....
140159AL	23337	Needle Guide Oscillating Crank Clamping Screw.....
175859	23337	Needle Guide Oscillating Crank Spring.....
175131	23337	Needle Guide Pin.....
175094	23337	Needle Guide Shaft Bushing.....
458AL	23337	Needle Guide Shaft Bushing Set Screw.....
175547	23337	Needle Guide Thread Finger.....
218D	23337	Needle Guide Thread Finger Screw (2).....
175483	23343	Needle Plate.....
140019F	23343	Needle Plate Screw (2).....
200125F	23343	Needle Set Screw.....
175140	23338	Pulley, 2-3/4 in. diam., with 51655X, 140037C and 175820.....
		NOTE: No. 175140 Pulley is regularly furnished with the Machine.
175634	-----	Pulley, 3-1/4 in. diam., with 51655X, 140037C and 175820.....
175636	-----	Pulley, 3-3/4 in. diam., with 51655X, 140037C and 175820.....
140037C	23338	Pulley Engaging Screw.....
51655X	23338	Pulley Engaging Screw Nut.....
175820	23338	Pulley Oil Wick.....
175142	23338	Pulley Shaft.....
175884	-----	Pulley Shaft 175142 with 175860 and 175150
175870	-----	Pulley Shaft complete, Nos. 175069, 175105, 175143, 175144, 175860, 175866 and 175884.....
175143	23338	Pulley Shaft Gear.....
175144	23338	Pulley Shaft Gear Pin.....
175145	23339	Pulley Shifter.....
175146	23339	Pulley Shifter Holder with 51649J and 140078AL.....
140078AL	23339	Pulley Shifter Holder Set Screw.....
51649J	23339	Pulley Shifter Holder Set Screw Lock Nut.....
1178E	23339	Pulley Shifter Screw.....
175148	23339	Starting Crank with 1747J and 140039E.....
175630	-----	Starting Crank 175148 with 175149 and 175155.....
140039E	23339	Starting Crank Adjusting Screw.....
1747J	23339	Starting Crank Adjusting Screw Nut.....
175149	23339	Starting Crank Pin.....
175150	23338	Stop Dog.....
175151	23339	Stop Dog Cushion Spring.....

No.	Plate	Name
175152	23339	Stop Dog Cushion Spring Holder with 50581C, 175151 and two 140040AL.....
50581C	23339	Stop Dog Cushion Spring Holder Set Screw.....
140040AL	23339	Stop Dog Cushion Spring Set Screw (2).....
175860	23338	Stop Dog Pin.....
175153	23339	Stop Motion Retaining Collar.....
160J	23339	Stop Motion Retaining Collar Screw.....
175881	23339	Stop Motion Retaining Collar Stud.....
140862AL	23339	Stop Motion Retaining Collar Stud Set Screw
175155	23339	Stop Motion Shaft.....
175156	23339	Stop Motion Shaft Spring.....
175157	23339	Stop Motion Shaft Spring Collar with 140041AL.....
140041AL	23339	Stop Motion Shaft Spring Collar Set Screw.....
175158	23339	Stop Motion Trip.....
175882	23339	Stop Motion Trip Block with 140862AL.....
175883	-----	Stop Motion Trip Block 175882 with 175881
140042C	23339	Stop Motion Trip Block Hinge Screw.....
51649E	23339	Stop Motion Trip Block Hinge Screw Nut.....
175113	23339	Stop Motion Trip Block Spring.....
175229	23345	Stop Motion Trip Point.....
160J	23339	Stop Motion Trip Screw (2).....
175032	23339	Stop Motion Trip Screw Washer (2).....
175160	23340	Tension (automatic) Disc (2).....
175161	23340	Tension (automatic) Disc Position Pin.....
1560C	23340	Tension (automatic) Regulating Thumb Nut
175162	23338	Tension (automatic) Releasing Cam with two 140027C.....
140027C	23338	Tension (automatic) Releasing Cam Set Screw (2).....
175522	23340	Tension (automatic) Releasing Disc.....
175163	23340	Tension (automatic) Releasing Rod.....
1521J	23340	Tension (automatic) Releasing Rod Adjust- ing Nut.....
1521J	23340	Tension (automatic) Releasing Rod Adjust- ing Nut Lock Nut.....
175164	23340	Tension (automatic) Releasing Rod Spring.....
175165	23340	Tension (automatic) Releasing Rod Wear- ing Sleeve.....
140043C	23340	Tension (automatic) Screw Stud.....
175166	-----	Tension (automatic) Screw Stud 140043C with 1560C.....
125314	23340	Tension (automatic) Spring.....
175167	23341	Tension (automatic) Thread Eyelet.....
175168	23340	Tension (automatic) complete, Nos. 125314, 175166, 175522 and two 175160.....
175160	23340	Tension (stationary) Disc (2).....
175161	23340	Tension (stationary) Disc Position Pin.....
1560C	23340	Tension (stationary) Regulating Thumb Nut
140044C	23340	Tension (stationary) Screw Stud.....
175169	-----	Tension (stationary) Screw Stud 140044C with 1560C.....
13710	23340	Tension (stationary) Spring.....
175170	23340	Tension (stationary) complete, Nos. 13710, 175169 and two 175160.....

No.	Plate	Name
175171	23341	Thread Eyelet (back).....
175172	23341	Thread Eyelet (front).....
175173	23340	Thread Nipper Head.....
175174	23340	Thread Nipper Plate.....
160J	23340	Thread Nipper Plate Screw.....
175175	23340	Thread Nipper Plate Washer.....
140045K	23340	Thread Nipper Releasing Head Screw.....
175176	23340	Thread Nipper Releasing Lever.....
140046C	23340	Thread Nipper Releasing Lever Hinge Screw.....
175177	23340	Thread Nipper Releasing Rod.....
175178	-----	Thread Nipper Releasing Rod 175177 with 175173.....
175179	23340	Thread Nipper Releasing Rod Spring (lower).....
175180	23340	Thread Nipper Releasing Rod Spring (lower) Washer.....
175181	23340	Thread Nipper Releasing Rod Spring (upper).....
175182	23340	Thread Nipper Releasing Rod Spring Collar with 465AL (2).....
465AL	23340	Thread Nipper Releasing Rod Spring Collar Set Screw (2).....
175183	23340	Thread Nipper Releasing Screw Stud.....
1722X	23340	Thread Nipper Releasing Screw Stud Nut ..
175184	23340	Thread Nipper Releasing Screw Stud Nut Washer.....
175185	23345	Thread Nipper Releasing Stud.....
175161	23340	Thread Nipper Thread Guide Pin (3).....
175186	23341	Thread Pull-off (back).....
175187	23341	Thread Pull-off (back) Holder with 160C and 1120AL.....
160C	23341	Thread Pull-off (back) Holder Set Screw ..
1120AL	23341	Thread Pull-off (back) Set Screw.....
175188	23341	Thread Pull-off (front).....
175189	23341	Thread Pull-off (front) Holder with 1120AL and 175190.....
175190	23341	Thread Pull-off (front) Holder Stop Pin ...
1120AL	23341	Thread Pull-off (front) Set Screw.....
175191	23341	Thread Pull-off Stop Collar with 160C and 175192.....
160C	23341	Thread Pull-off Stop Collar Set Screw.....
175192	23341	Thread Pull-off Stop Collar Stop Pin.....
175167	23341	Thread Pull-off Thread Eyelet (2).....

## MACHINE No. 175-63

SAME AS 175 62 MACHINE, EXCEPT HAS NEEDLE BAR STROKE OF 1 5/8 IN. AND  
CAN BE FITTED WITH CLAMP FOR SNAP FASTENERS SIZES 0, 00 AND 000.

This Machine is the same as the No. 175-62  
Machine, with the following exceptions:

No.	Plate	Name
175004	23336	Arm Rock Shaft 175003 with 175006 and 175007, in place of 175340.....
*175006	-----	Arm Rock Shaft Crank (front) in place of 175341.....
175418	-----	Button Clamp (left) 175422 with 140021C, 175023 and 175622, in place of 175021 ..
175419	23349	Button Clamp (left) 175418 with 228J and 175420, in place of 175022.....
175420	23349	Button Clamp (left) Spring, in place of 175026.....
175516	-----	Button Clamp (right) 175423 with 140021C, 175029 and 175622, in place of 175027 ..
175517	23349	Button Clamp (right) 175516 with 228J and 175518, in place of 175028.....
175518	23349	Button Clamp (right) Spring, in place of 175030.....
175755	-----	Button Clamp Spreader and Button Stop 175056 with 175573 and two 1472J, in place of 175734.....
175573	23349	Button Clamp Spreader Handle, in place of 175058.....
175397	-----	Button Clamp complete, Nos. 51688J, 140265W, 175040, 175057, 175419, 175517, 175755 and two 140020C, in place of 175059.....
175725	23349	Button Clamp 175397 with 680W, 175031, 175806, two 140024AL and three 175032, for 10 to 24 ligne two or four hole flat buttons, in place of 175726.....
175297	23344	Clamp Opening Pin Plate for 175-63 Machine.....
160J	23344	Clamp Opening Pin Plate Screw (2) for 175-63 Machine.....
175098	23344	Needle Bar Connecting Link in place of 175348.....
175102	23344	Needle Bar Connecting Stud (lower) in place of 175349.....

BUTTON CLAMPS

BUTTON CLAMP NO. 175725  
 For Sewing 10 to 24 Ligne Two and Four Hole  
 Flat Buttons Close To The Material, Either With a  
 Through and Through Stitch or Using a Stay Button.

No.	Plate	Name
175422	----	Button Clamp (left).....
175418	23349	Button Clamp (left) 175422 with 140021C, 175023 and 175622 .....
175419	23349	Button Clamp (left) 175418 with 228J and 175420.....
175023	23349	Button Clamp (left) Button Stop.....
140020C	23349	Button Clamp (left) Hinge Screw.....
1498AL	23349	Button Clamp (left) Hinge Screw Lock Screw.....
140021C	23349	Button Clamp (left) Screw Stud .....
175420	23349	Button Clamp (left) Spring .....
228J	23349	Button Clamp (left) Spring Screw .....
175622	23349	Button Clamp (left) Spring Steady Pin .....
175423	----	Button Clamp (right) for 175027 and 175516
175516	23349	Button Clamp (right) 175423 with 140021C, 175029 and 175622.....
175517	23349	Button Clamp (right) 175516 with 228J and 175518.....
175029	23349	Button Clamp (right) Button Stop.....
140020C	23349	Button Clamp (right) Hinge Screw.....
1498AL	23349	Button Clamp (right) Hinge Screw Lock Screw.....
140021C	23349	Button Clamp (right) Screw Stud.....
175518	23349	Button Clamp (right) Spring.....
228J	23349	Button Clamp (right) Spring Screw.....
175622	23349	Button Clamp (right) Spring Steady Pin.....
175031	23349	Button Clamp Adjusting Lever.....
680W	23349	Button Clamp Adjusting Lever Thumb Screw
175032	23349	Button Clamp Adjusting Lever Thumb Screw Washer .....
175806	23349	Button Clamp Arm .....
175040	23349	Button Clamp Closing Spring .....
175056	23349	Button Clamp Spreader and Button Stop.....
175755	23349	Button Clamp Spreader and Button Stop 175056 with 175573 and two 1472J.....
175057	23349	Button Clamp Spreader and Button Stop Base with two 1498AL .....
140024AL	23349	Button Clamp Spreader and Button Stop Base Screw (2) .....
175032	23349	Button Clamp Spreader and Button Stop Base Screw Washer (2).....
140265W	23349	Button Clamp Spreader and Button Stop Screw .....

No.	Plate	Name
51688J	23349	Button Clamp Spreader and Button Stop Screw Nut.....
175573	23349	Button Clamp Spreader Handle .....
1472J	23349	Button Clamp Spreader Handle Screw (2) .....
175397	----	Button Clamp complete, Nos. 51688J, 140265W, 175040, 175057, 175419, 175517, 175755 and two 140020C .....
175725	23349	Button Clamp 175397 with 680W, 175031, 175806, two 140024AL and three 175032

BUTTON CLAMP NO. 175852  
 For Sewing 20 to 45 Ligne Two and Four Hole Heavy  
 Flat Buttons Close To The Material, With Either a  
 Through and Through Stitch or Using a Stay Button

No.	Plate	Name
175422	----	Button Clamp (left) .....
175021	23358	Button Clamp (left) 175422 with 140021C, 175023 and 175622 .....
175298	23358	Button Clamp (left) 175021 with 228J, 175026 and 175299 .....
175023	23358	Button Clamp (left) Button Stop.....
140020C	23358	Button Clamp (left) Hinge Screw.....
1498AL	23358	Button Clamp (left) Hinge Screw Lock Screw .....
140021C	23358	Button Clamp (left) Screw Stud .....
175026	23358	Button Clamp (left) Spring.....
175299	23358	Button Clamp (left) Spring Reinforcing Spring.....
228J	23358	Button Clamp (left) Spring Screw.....
175622	23358	Button Clamp (left) Spring Steady Pin.....
175423	----	Button Clamp (right) .....
175027	23358	Button Clamp (right) 175423 with 140021C, 175029 and 175622 .....
175300	23358	Button Clamp (right) 175027 with 228J, 175030 and 175299 .....
175029	23358	Button Clamp (right) Button Stop .....
140020C	23358	Button Clamp (right) Hinge Screw .....
1498AL	23358	Button Clamp (right) Hinge Screw Lock Screw .....
140021C	23358	Button Clamp (right) Screw Stud.....
175030	23358	Button Clamp (right) Spring.....
175299	23358	Button Clamp (right) Spring Reinforcing Spring.....
228J	23358	Button Clamp (right) Spring Screw.....
175622	23358	Button Clamp (right) Spring Steady Pin.....
175031	23358	Button Clamp Adjusting Lever .....
680W	23358	Button Clamp Adjusting Lever Thumb Screw .....

Digitized by eGangotri Library, Varanasi

## BUTTON CLAMPS

No.	Plate	Name
175032	23358	Button Clamp Adjusting Lever Thumb Screw Washer.....
175806	23358	Button Clamp Arm.....
175303	23358	Button Clamp Closing Spring.....
175302	23358	Button Clamp Spreader and Button Stop .....
175736	-----	Button Clamp Spreader and Button Stop 175302 with 175058 and two 1472J .....
175057	23358	Button Clamp Spreader and Button Stop Base with two 1498AL.....
140024	23358	Button Clamp Spreader and Button Stop Base Screw (2).....
175032	23358	Button Clamp Spreader and Button Stop Base Screw Washer (2) .....
140265W	23358	Button Clamp Spreader and Button Stop Screw .....
51688J	23358	Button Clamp Spreader and Button Stop Screw Nut .....
175058	23358	Button Clamp Spreader Handle.....
1472J	23358	Button Clamp Spreader Handle Screw (2)..
175304	-----	Button Clamp complete, Nos. 51688J, 140265W, 175057, 175298, 175300, 175303, 175736 and two 140020C.....
175852	23358	Button Clamp 175304 with 680W, 175031, 175806, two 140024C and three 175032..

## BUTTON CLAMP NO. 175727

For Sewing 40 to 80 Ligne Two and Four Hole  
Flat Buttons Close To The Material, Either With a  
Through and Through Stitch or Using a Stay Button.

No.	Plate	Name
175718	-----	Button Clamp (left) .....
175719	23350	Button Clamp (left) 175718 with 140021C, 175023 and 175622 .....
175720	23350	Button Clamp (left) 175719 with 228J, and 175571 .....
175023	23350	Button Clamp (left) Button Stop .....
140020C	23350	Button Clamp (left) Hinge Screw .....
1498AL	23350	Button Clamp (left) Hinge Screw Lock Screw.....
140021C	23350	Button Clamp (left) Screw Stud.....
175571	23350	Button Clamp (left) Spring.....
228J	23350	Button Clamp (left) Spring Screw.....
175622	23350	Button Clamp (left) Spring Steady Pin.....
175721	-----	Button Clamp (right).....
175722	23350	Button Clamp (right) 175721 with 140021C, 175029 and 175622.....

No.	Plate	Name
175723	23350	Button Clamp (right) 175722 with 228J and 175572.....
175029	23350	Button Clamp (right) Button Stop .....
140020C	23360	Button Clamp (right) Hinge Screw .....
1498AL	23350	Button Clamp (right) Hinge Screw Lock Screw .....
140021C	23350	Button Clamp (right) Screw Stud.....
175572	23350	Button Clamp (right) Spring.....
228J	23350	Button Clamp (right) Spring Screw.....
175622	23350	Button Clamp (right) Spring Steady Pin....
175031	23350	Button Clamp Adjusting Lever.....
680W	23350	Button Clamp Adjusting Lever Thumb Screw .....
175032	23350	Button Clamp Adjusting Lever Thumb Screw Washer.....
175806	23350	Button Clamp Arm.....
175303	23350	Button Clamp Closing Spring.....
175747	23350	Button Clamp Spreader and Button Stop....
175748	23350	Button Clamp Spreader and Button Stop 175747 with 175573 and two 1472J.....
175057	23350	Button Clamp Spreader and Button Stop Base with two 1498AL.....
140024AL	23350	Button Clamp Spreader and Button Stop Base Screw (2) .....
175032	23350	Button Clamp Spreader and Button Stop Base Screw Washer (2).....
140265W	23350	Button Clamp Spreader and Button Stop Screw .....
51688J	23350	Button Clamp Spreader and Button Stop Screw Nut.....
175573	23350	Button Clamp Spreader Handle .....
1472J	23350	Button Clamp Spreader Handle Screw (2)..
175724	-----	Button Clamp complete, Nos. 51688J, 140265W, 175057, 175303, 175720, 175723, 175748 and two 140020C .....
175727	23350	Button Clamp 175724 with 680W, 175031, 175806, two 140024C and three 175032 ..

## BUTTON CLAMP NO. 175749

For Sewing 80 to 120 Ligne Two and Four Hole  
Flat Buttons Close To The Material, Either With a  
Through and Through Stitch or Using a Stay Button.

No.	Plate	Name
175637	23353	Button Clamp (left) with 175023 and 175622
175638	23353	Button Clamp (left) 175637 with 228J, 140153C and 175639.....
175023	23353	Button Clamp (left) Button Stop.....
140152C	23353	Button Clamp (left) Hinge Screw.....

No.	Plate	Name
51676J	23353	Button Clamp (left) Hinge Screw Nut.....
175653	23353	Button Clamp (left) Hinge Screw Spacing Collar .....
140153C	23353	Button Clamp (left) Screw Stud.....
175639	23353	Button Clamp (left) Spring.....
228J	23353	Button Clamp (left) Spring Screw.....
175622	23353	Button Clamp (left) Spring Steady Pin.....
175640	23353	Button Clamp (right) with 175029 and 175622 .....
175641	23353	Button Clamp (right) 175640 with 228J, 140153C and 175642.....
175029	23353	Button Clamp (right) Button Stop.....
140152C	23353	Button Clamp (right) Hinge Screw.....
51676J	23353	Button Clamp (right) Hinge Screw Nut.....
175653	23353	Button Clamp (right) Hinge Screw Spacing Collar .....
140153C	23353	Button Clamp (right) Screw Stud.....
175642	23353	Button Clamp (right) Spring.....
228J	23353	Button Clamp (right) Spring Screw.....
175622	23353	Button Clamp (right) Spring Screw Steady Pin .....
175644	23353	Button Clamp Adjusting Slide .....
140151J	23353	Button Clamp Adjusting Slide Guide Screw.....
51675J	23353	Button Clamp Adjusting Slide Guide Screw Lock Nut .....
1656J	23353	Button Clamp Adjusting Slide Thumb Nut..
175643	23353	Button Clamp Arm.....
175363	23353	Button Clamp Arm Hinge Bracket .....
140072K	23353	Button Clamp Arm Screw (2) .....
175032	23353	Button Clamp Arm Screw Washer (2).....
175647	23353	Button Clamp Lifting Chain Bracket with two 190K .....
175648	23353	Button Clamp Lifting Chain Bracket Stud..
190K	23353	Button Clamp Lifting Chain Bracket Set Screw .....
190K	23353	Button Clamp Lifting Chain Screw (lower).....
175646	23353	Button Clamp Opening Handle .....
223J	23353	Button Clamp Opening Handle Screw (2) ..
175750	23353	Button Clamp Presser Bar Seat.....
230J	23353	Button Clamp Presser Bar Seat Screw (2).....
175649	23353	Button Clamp Spreader and Button Stop with Slide and two 175622.....
175622	23353	Button Clamp Spreader and Button Stop Slide Pin (2) .....
140154W	23353	Button Clamp Spreader and Button Stop Slide Screw (2) .....
175650	23353	Button Clamp Spreader and Button Stop Spring .....
175651	23353	Button Clamp Spreader and Button Stop Spring Guide Screw Stud.....
175652	23353	Button Clamp Spreader and Button Stop Spring Guide Screw Stud Holder.....
1521J	23353	Button Clamp Spreader and Button Stop Spring Guide Screw Stud Holder Nut .....

No.	Plate	Name
175749	23353	Button Clamp complete, Nos. 1521J, 1656J, 51675J, 140151J, 175363, 175638, 175641, 175643, 175644, 175646, 175647, 175648, 175649, 175650, 175651, 175652, 175750, two each 223J, 230J, 51676J, 140072K, 140152C, 140154W, 175032 and 175653.....
<b>BUTTON CLAMP NO. 175744</b> For Sewing 20 to 45 Ligne Two and Four Hole Flat Buttons Away From The Material, Either With a Through and Through Stitch or Using a Stay Button. (For 175-62 Machine)		
No.	Plate	Name
175422	-----	Button Clamp (left).....
175021	23351	Button Clamp (left) 175422 with 140021C, 175023 and 175622.....
175022	23351	Button Clamp (left) 175021 with 228J and 175026 .....
175023	23351	Button Clamp (left) Button Stop.....
140020C	23351	Button Clamp (left) Hinge Screw.....
1498AL	23351	Button Clamp (left) Hinge Screw Lock Screw.....
140021C	23351	Button Clamp (left) Screw Stud.....
175026	23351	Button Clamp (left) Spring .....
228J	23351	Button Clamp (left) Spring Screw .....
175622	23351	Button Clamp (left) Spring Steady Pin .....
175423	-----	Button Clamp (right) .....
175027	23351	Button Clamp (right) 175423 with 140021C, 175029 and 175622.....
175028	23351	Button Clamp (right) 175027 with 228J and 175030 .....
175029	23351	Button Clamp (right) Button Stop.....
140020C	23351	Button Clamp (right) Hinge Screw.....
1498AL	23351	Button Clamp (right) Hinge Screw Lock Screw.....
140021C	23351	Button Clamp (right) Screw Stud .....
175030	23351	Button Clamp (right) Spring.....
228J	23351	Button Clamp (right) Spring Screw .....
175622	23351	Button Clamp (right) Spring Steady Pin .....
175031	23351	Button Clamp Adjusting Lever .....
680W	23351	Button Clamp Adjusting Lever Thumb Screw.....
175032	23351	Button Clamp Adjusting Lever Thumb Screw Washer .....
175806	23351	Button Clamp Arm .....
175040	23351	Button Clamp Closing Spring .....

Copyright © 2013 by The Library of Congress

No.	Plate	Name
175411	23351	Button Clamp Shanking Foot (double) (2).. NOTE: No. 175411 is regularly furnished with a 1/8 in. or a 11/32 in. Height of Step. When ordering, specify height of step required, or if another Height of Step other than regular is required, it must be so stated on order.
140067J	23351	Button Clamp Shanking Foot Position Screw.....
140068W	23351	Button Clamp Shanking Foot Thumb Screw
175056	23351	Button Clamp Spreader and Button Stop...
175734	23351	Button Clamp Spreader and Button Stop 175056 with 175058 and two 1472J.....
175057	23351	Button Clamp Spreader and Button Stop Base with two 1498AL.....
140024AL	23351	Button Clamp Spreader and Button Stop Base Screw (2).....
175032	23351	Button Clamp Spreader and Button Stop Base Screw Washer (2).....
140265W	23351	Button Clamp Spreader and Button Stop Screw.....
51688J	23351	Button Clamp Spreader and Button Stop Screw Nut.....
175058	23351	Button Clamp Spreader Handle.....
1472J	23351	Button Clamp Spreader Handle Screw (2)..
175743	-----	Button Clamp complete, Nos. 51688J, 140067J, 140068W, 140265W, 175022, 175028, 175040, 175057, 175734 and two each 140020C and 175411.....
175744	23351	Button Clamp 175743 with 680W, 175031, 175806, two 140024AL and three 175032.

## BUTTON CLAMP NO. 175746

For Sewing 20 to 45 Ligne Two and Four Hole Flat Buttons Away From The Material, With a Blind Stitch. (For 175-62 Machine)

NOTE: This Button Clamp is the same as No. 175744, with the following exceptions:

175401	23352	Button Clamp Shanking Foot (single in place of 175411 (2))..... NOTE: No. 175401 is regularly furnished with a 1/8 in. or a 11/32 in. Height of Step. When ordering, specify Height of Step required, or if another Height of Step other than regular is required, it must be so stated on order.
175745	-----	Button Clamp complete, Nos. 51688J, 140067J, 140068W, 140265W, 175022, 175028, 175040, 175057, 175734 and two each 140020C and 175401.....
175746	23352	Button Clamp 175745 with 680W, 175031, 175806, two 140024AL and three 175032.

## BUTTON CLAMP NO. 175795

For Sewing 40 to 55 Ligne Two and Four Hole Flat Buttons Away From The Material, Either With a Through and Through Stitch or Using a Stay Button. (For 175-62 Machine)

No.	Plate	Name
175793	-----	Button Clamp complete, Nos. 51688J, 140067J, 140068W, 140265W, 175057, 175303, 175720, 175723, 175748 and two each 140020C and 175764.....
175795	23355	Button Clamp 175793 with 680W, 175031, 175806, two 140024AL and three 175032. NOTE: Button Clamp No. 175795 is the same as Button Clamp No. 175727, but with the addition of the following parts.
175764	23355	Button Clamp Shanking Foot (double) (2).. NOTE: No. 175764 is regularly furnished with a 9/32 in. or a 11/32 in. Height of Step. When ordering, specify Height of Step required, or if another Height of Step other than regular is required, it must be so stated on order.
140067J	23355	Button Clamp Shanking Foot Position Screw
140068W	23355	Button Clamp Shanking Foot Thumb Screw..

## BUTTON CLAMP NO. 175790

For Sewing 40 to 55 Ligne Two and Four Hole Flat Buttons Away From The Material, With a Blind Stitch. (For 175-62 Machine)

No.	Plate	Name
175788	-----	Button Clamp complete, Nos. 51688J, 140067J, 140068W, 140265W, 175057, 175303, 175720, 175723, 175748 and two each 140020C and 175786.....
175790	23354	Button Clamp 175788 with 680W, 175031, 175806, two 140024AL and three 175032. NOTE: Button Clamp No. 175790 is the same as Button Clamp No. 175727, but with the addition of the following parts.
175786	23354	Button Clamp Shanking Foot (single) (2).. NOTE: No. 175786 is regularly furnished with a 9/32 in. or a 11/32 in Height of Step. When ordering, specify Height of Step required, or if another Height of Step other than regular is required, it must be so stated on order.
140067J	23354	Button Clamp Shanking Foot Position Screw
140068W	23354	Button Clamp Shanking Foot Thumb Screw

in the library: Diamond Needle Co.

No.	Plate	Name
175032	23315	Button Clamp Lifting Rod Arm Stop Plate Screw Washer (2).....
42830	23315	Button Clamp Lifting Rod Cotter Pin....
175050	23315	" " " " Spring.....
175051	23315	" " " " Stop Collar with 160C.....
160C	23315	Button Clamp Lifting Rod Spring Stop Collar Set Screw.....
175365	23314	Button Clamp Presser Bar.....
175053	23314	" " " " Collar with 458C
458C	23314	" " " " Set Screw.
175054	23314	" " " " Screw Bearing...
175055	23314	" " " " Spring.....
140023W	23314	" " Pressure Regulating Thumb Screw.....
1722J	23314	Button Clamp Pressure Regulating Thumb Screw Lock Nut.....
175056	23317	Button Clamp Spreader and Button Stop...
175734	-----	" " " " " "
		175056 with 175058 and two 1472J....
175057	23317	Button Clamp Spreader and Button Stop Base with two 1498C.....
140024C	23317	Button Clamp Spreader and Button Stop Base Screw (2).....
175032	23317	Button Clamp Spreader and Button Stop Base Screw Washer (2).....
140265W	23317	Button Clamp Spreader and Button Stop Screw.....
51688J	23317	Button Clamp Spreader and Button Stop Screw Lock Nut.....
175058	23317	Button Clamp Spreader Handle.....
1472J	23317	" " " " Screw (2)..
175059	-----	Button Clamp complete, Nos. 51688J, 140265W, 175022, 175028, 175040, 175057, 175734 and two 140020C.....
175726	23317	Button Clamp 175059 with 680W, 175031, 175806, two 140024C and three 175032, for 20 to 45 ligne two or four hole flat buttons.....
175771	23316	Face Plate with 624AL.....
175772	23316	" " 175771 with 185J, 175062, 175063, 175065, 175066, 175774, 175776 and 232095.....
120J	23316	Face Plate Screw (2).....
175062	23316	" " Thread Guide (lower) Plate...
185J	23316	" " " " " " Screw
175063	23316	" " " " " " " "
		Spacing Collar.....
202098	23316	Face Plate Thread Guide (lower) Roller..
175065	23316	" " " " " " Pin

No.	Plate	Name
175066	23316	Face Plate Thread Guide (upper).....
175773	23316	" " " Retainer Sleeve.....
175774	23316	" " " " Spring.....
175775	23316	" " " " Stud.....
175776	-----	" " " " " 175775 with 175773.....
624AL	23316	Face Plate Thread Retainer Stud Set Screw.....
175293	23314	Feed Cam.....
175294	22895	" " Driving Worm.....
175069	22895	" " " " Pin.....
175295	23314	" " " " Wheel with 175229 and two 140026C.....
140026C	23314	Feed Cam Driving Worm Wheel Set Screw (2).....
175071	23314	Feed Cam Driving Worm Wheel Shaft.....
175780	-----	" " " " " " 175071 with 175119 and 175805.....
127J	23314	Feed Cam Screw (2).....
175032	23314	" " " Washer (2).....
175685	23317	" Plate with two 17559.....
175073	23306	" " Carrier.....
175074	23306	" " " Driving Arm with 450C and 51923.....
175796	23306	Feed Plate Carrier Driving Arm Pin.....
51923	23306	" " " " " Roller and Screw Stud.....
458C	23306	Feed Plate Carrier Driving Arm Set Screw
175075	23306	" " " Guide Block (left)...
190J	23306	" " " " " " Screw (2).....
175076	23306	Feed Plate Carrier Guide Block (right)..
190J	23306	" " " " " " Screw (2).....
51667C	23306	Feed Plate Carrier Regulating Nut with 175549.....
175548	23306	Feed Plate Carrier Regulating Nut Screw Stud.....
175739	-----	Feed Plate Carrier Regulating Nut Screw Stud 175548 with 175078.....
175078	23306	Feed Plate Carrier Regulating Nut Screw Stud Slide Block.....
175079	23306	Feed Plate Carrier Regulating Nut Screw Stud Slide Block Washer.....
175549	23306	Feed Plate Carrier Regulating Nut Tight- ening Handle.....
175081	23306	Feed Plate Carrier Regulator with 228J..
175627	-----	" " " " 175081 with 175074 and 175796 (for Agents only).
175083	23306	Feed Plate Carrier Regulator Spring.....

From the library of: Dammund Needle Corp

BUTTON CLAMP NO. 175684  
 For Sewing Metal Eyelet Shank and Leather Shank Buttons,  
 Also Self-shank Buttons, Such as Metal, Bone, Pearl, Cloth  
 Covered and Composition, With Either a Through and  
 Through Stitch, Blind Stitch or Using a Stay Button.

No.	Plate	Name
175807	23348	Button Clamp Arm .....
175808	-----	Button Clamp Arm 175807 with 175809 and two each 140024K and 175032.....
175797	23348	Button Clamp Arm Hinge Bracket.....
140024AL	23348	Button Clamp Arm Screw (2).....
175032	23348	Button Clamp Arm Screw Washer (2).....
175809	23348	Button Clamp Presser Bar Seat .....
140024K	23348	Button Clamp Presser Bar Seat Adjusting Screw.....
175032	23348	Button Clamp Presser Seat Adjusting Screw Washer .....
140024K	23348	Button Clamp Presser Bar Seat Screw.....
175032	23348	Button Clamp Presser Bar Seat Screw Washer (2).....
175667	23348	Button Finger for small size buttons .....
175668	23348	Button Finger for large size buttons.....
51696W	23348	Button Finger Adjusting Thumb Nut .....
22436	23348	Button Finger Adjusting Thumb Nut Washer
175669	23348	Button Finger Holder.....
140160K	23348	Button Finger Holder Screw.....
175670	23348	Button Finger Lever .....
50603J	23348	Button Finger Lever Hinge Screw.....
176672	23348	Button Finger Lever Post.....
1521J	23348	Button Finger Lever Post Nut .....
175673	23348	Button Finger Lever Screw Bushing.....
175674	23348	Button Finger Lever Screw Bushing Screw Stud .....
175675	23348	Button Finger Lever Screw Bushing Spring.
191J	23348	Button Holder Screw.....
175684	23348	Button Clamp complete (less button holder) Nos. 191J, 1521J, 22436, 50603J, 51696W, 140160K, 175667, 175668, 175669, 175670, 175672, 175673, 175674, 175675, 175797, 175808 and two each 140024AL and 175032.....

## BUTTON HOLDERS

NOTE: The Following Button Holders are used with, but not  
 included in Button Clamp Complete No. 175684:

No.	Plate	Name
175383	23348	Button Holder for leather Shank (or imitation of same) buttons.....
175384	23348	Button Holder Spring for 175383.....
175392	23348	Button Holder (7/32 in. hole) for self- shank buttons such as metal, bone, pearl, cloth covered and composition...
175393	23348	Button Holder (5/16 in. hole) for self- shank buttons such as metal, bone, pearl, cloth covered and composition...
175398	23348	Button Holder (3/8 in. hole) for self- shank buttons such as metal, bone, pearl, cloth covered and composition...
175399	23348	Button Holder (15/32 in. hole) for self- shank buttons such as metal, bone, pearl, cloth covered and composition...
175676	23348	Button Holder for metal eyelet Shank buttons .....
175677	23348	Button Holder for metal eyelet shank buttons (short eyelet).....
175678	23348	Button Holder Spring for 175676 and 175677.....
175679	23348	Button Holder for 175681.....
175680	23348	Button Holder for 175682.....
175681	23348	Button Holder 175679 with 228J and 175683 for metal eyelet shank buttons (large eyelet).....
175682	23348	Button Holder 175680 with 228J and 175683 for metal eyelet shank buttons (small eyelet).....
175683	23348	Button Holder Support for 175681 and 175682.....
228J	23348	Button Holder Support Set Screw for 175681 and 175682.....



## CLAMPS

No.	Plate	Name
CLAMP NO. 175842 (Holder Type) For Sewing Snap Fasteners Size "0", "00" and "000". (For 175-63 Machine)		
175282	23356	Clamp (lower) for size "0" snaps.....
175283	23356	Clamp (lower) for size "00" snaps.....
175284	23356	Clamp (lower) for size "000" snaps.....
175285	23356	Clamp (lower) Position Pin.....
231J	23356	Clamp (lower) Screw.....
175286	23356	Clamp (upper) with 175285.....
140024AL	23356	Clamp (upper) Screw (2).....
175032	23356	Clamp (upper) Screw Washer (2).....
175843	23356	Clamp Arm.....
175845	-----	Clamp Arm 175843 with 202J and 175844 ..
175844	23356	Clamp Lifting Chain Connection.....
202J	23356	Clamp Lifting Chain Connection Screw ....
175288	23356	Clamp Opening Pin.....
175289	23356	Clamp Opening Pin Collar with 1498AL....
1498AL	23356	Clamp Opening Pin Collar Set Screw.....
175290	23356	Clamp Opening Pin Connection with 160J ..
160J	23356	Clamp Opening Pin Connection Clamping Screw.....
175291	23356	Clamp Opening Pin Connection Holder Screw Stud.....
175846	-----	Clamp complete, for sizes "0", "00" and "000" snaps, Nos. 231J, 175282, 175283, 175284, 175286, 175288, 175289, 175290 and 175291.....
175842	23356	Clamp 175846 with 175845 and two each 140024AL and 175032.....

CLAMP NO. 175847 (Button Clamp Type)  
For Sewing Snap Fasteners Size "0", "00" and "000".  
(For 175-63 Machine)

No.	Plate	Name
175833	23357	Clamp (left) with 140021C.....
140020C	23357	Clamp (left) Hinge Screw.....
1498AL	23357	Clamp (left) Hinge Screw Lock Screw.....
140021C	23357	Clamp (left) Screw Stud.....
175834	23357	Clamp (right) with 140021C.....
140020C	23357	Clamp (right) Hinge Screw.....
1498AL	23357	Clamp (right) Hinge Screw Lock Screw....
140021C	23357	Clamp (right) Screw Stud.....

No.	Plate	Name
175031	23357	Clamp Adjusting Lever.....
680W	23357	Clamp Adjusting Lever Thumb Screw.....
175032	23357	Clamp Adjusting Lever Thumb Screw Washer.....
175806	23357	Clamp Arm.....
175040	23357	Clamp Closing Spring.....
175835	23357	Clamp Spreader and Snap Fastener Stop...
175836	23357	Clamp Spreader and Snap Fastener Stop 175835 with 175573 and two 1472J.....
175057	23357	Clamp Spreader and Snap Fastener Stop Base with two 1498AL.....
140024AL	23357	Clamp Spreader and Snap Fastener Stop Base Screw (2).....
175032	23357	Clamp Spreader and Snap Fastener Stop Base Screw Washer (2).....
140265W	23357	Clamp Spreader and Snap Fastener Stop Screw.....
51688J	23357	Clamp Spreader and Snap Fastener Stop Screw Lock Nut.....
175573	23357	Clamp Spreader Handle.....
1472J	23357	Clamp Spreader Handle Screw (2).....
175837	-----	Clamp complete, Nos. 51688J, 140265W, 175040, 175057, 175833, 175834, 175836 and two 140020C.....
175847	23357	Clamp 175837 with 680W, 175031, 175806, two 140024AL and three 175032.....

## BED WORK SUPPORTS

No.	Plate	Name
175387	23359	Bed Work Support for 175388.....
175388	23359	Bed Work Support 175387 with 175389....
175854	23359	Bed Work Support (adjustable) complete, for large Shank Buttons, Nos. 51656J, 140066J, 175032, 175388 and 175390.....
175823	23359	Bed Work Support for 175824.....
175824	23359	Bed Work Support 175823 with 175389....
175855	23359	Bed Work Support (adjustable) complete, for small Shank Buttons, Nos. 51656J, 140066J, 175032, 175390 and 175824.....
175389	23359	Bed Work Support Holder with 140061J....
140061J	23359	Bed Work Support Holder Clamping Screw.
140066J	23359	Bed Work Support Holder Guide Screw....
51656J	23359	Bed Work Support Holder Lock Thumb Nut
175390	23359	Bed Work Support Holder Lock Nut Screw Stud.....
175032	23359	Bed Work Support Holder Lock Nut Screw Stud Washer.....

 Digitized by the Internet Archive. See: <http://www.archive.org/details/needlecraft>

## FEED PLATES

No.	Plate	Name
175686	23350	Feed Plate with two 175857, for sewing 40 to 80 ligne two and four hole flat buttons close to the material.....
175687	23353	Feed Plate with two 175857, for sewing 80 to 120 ligne two and four hole flat buttons close to the material.....
175688	23360	Feed Plate.....
175753	-----	Feed Plate 175688 with 175691 and three 5790.....
175689	23360	Feed Plate 175753 with 175690 and two 50090J for sewing 20 to 45 ligne two and four hole flat buttons away from the material with a blind stitch.....
5790	23360	Feed Plate Rivet for 175753 (3).....
175590	23360	Feed Plate Stud for 175691 (2).....
175857	23350	Feed Plate Stud for 175686 and 175687....
175690	23360	Feed Plate Work Support for 175689.....
*175691	-----	Feed Plate Work Support Holder with two 175590.....
50090J	23360	Feed Plate Work Support Adjusting Screw for 175689.....
50090J	23360	Feed Plate Work Support Screw for 175689.

## STAY BUTTON HOLDERS

No.	Plate	Name
175693	23360	Stay Button Holder with two 175590 (18 ligne stay button) for sewing two and four hole flat buttons either close or away from the material.....
175694	23360	Stay Button Holder with two 175590 (19 ligne stay button) for sewing two and four hole flat buttons either close or away from the material.....
175695	23360	Stay Button Holder with two 175590 (20 ligne stay button) for sewing two and four hole flat buttons either close or away from the material.....
175696	23360	Stay Button Holder with two 175590 (22 ligne stay button) for sewing two and four hole flat buttons either close or away from the material.....
175701	-----	Stay Button Holder (18 ligne stay button) for 175705.....
175702	-----	Stay Button Holder (19 ligne stay button) for 175706.....
175703	23360	Stay Button Holder (20 ligne stay button) for 175707.....

No.	Plate	Name
175704	23360	Stay Button Holder (22 ligne stay button) for 175708.....
175705	-----	Stay Button Holder 175701 with 228J, 230J and 175709 (18 ligne stay button) for sewing metal eyelet or leather shank buttons.....
175706	-----	Stay Button Holder 175702 with 228J, 230J and 175709 (19 ligne stay button) for sewing metal eyelet or leather shank buttons.....
175707	23360	Stay Button Holder 175703 with 228J, 230J and 175709 (20 ligne stay button) for sewing metal eyelet or leather shank buttons.....
175708	23360	Stay Button Holder 175704 with 228J, 230J and 175709 (22 ligne stay button) for sewing metal eyelet or leather shank buttons.....
	230J 23360	Stay Button Holder Adjusting Screw for 175704, 175706, 175707 and 175708.....
175709	23360	Stay Button Holder Plate with two 175590, for 175705, 175706, 175707 and 175708..
175590	23360	Stay Button Holder Plate Stud for 175709 (2).....
	228J 23360	Stay Button Holder Screw for 175705, 175706, 175707 and 175708.....
175590	23360	Stay Button Holder Stud for 175693, 175694, 175695 and 175696 (2).....

## WORK SUPPORTS

No.	Plate	Name
175713	23359	Work Support for 175715.....
175714	23359	Work Support for 175716.....
175715	23359	Work Support 175713 with 228J, 230J and 175709, for sewing metal eyelet or leather shank buttons with a through and through stitch.....
175716	23359	Work Support 175714 with 228J, 230J and 175801, for sewing metal eyelet or self-shank buttons with a blind stitch....
	230J 23359	Work Support Adjusting Screw.....
175709	23359	Work Support Plate with two 175590, for 175715 and 175849.....
175801	23359	Work Support Plate with two 175590, for 175716 and 175851.....
175590	23359	Work Support Plate Stud (2).....
	228J 23359	Work Support Screw.....

From the library of:

No.	Plate	Name
140042C	22895	Stop Motion Trip Block Hinge Screw.....
51649E	22895	" " " " " Nut..
175113	22895	" " " " Spring.....
175229	23314	" " " Point.....
160J	22895	" " " Screw (2).....
175032	22895	" " " Washer (2).....
175160	23315	Tension (automatic) Disc (C).....
175161	23315	" " " Position Pin..
1560C	23315	" " " Regulating Thumb Nut
175162	22895	" " " Releasing Cam with two 140027C.....
140027C	22895	Tension (automatic) Releasing Cam Set Screw (2).....
175522	23315	Tension (automatic) Releasing Disc.....
175163	23315	" " " Rod.....
1521J	23315	" " " " Adjust- ing Nut.....
1521J	23315	Tension (automatic) Releasing Rod Ad- justing Nut Lock Nut.....
175164	23315	Tension (automatic) Releasing Rod Spring
175165	23315	" " " " Wearing Sleeve.....
140043C	23315	Tension (automatic) Screw Stud.....
175166	-----	" " " " 140043C with 1560C.....
125314	23315	Tension (automatic) Spring.....
175167	23315	" " " Thread Eyelet.....
175168	-----	Tension (automatic) complete, Nos. 125314, 175166, 175522 and two 175160.
175160	23315	Tension (stationary) Disc (2).....
175161	23315	" " " Position Pin..
1560C	23315	" " " Regulating Thumb Nut
140044C	23315	" " " Screw Stud.....
175169	-----	" " " " 140044C with 1560C.....
13710	23315	Tension (stationary) Spring.....
175170	-----	Tension (stationary) complete, Nos. 13710, 175169 and two 175160.....
175171	23315	Thread Eyelet (back).....
175172	23315	" " (front).....
175173	23315	" Nipper Head.....
175174	23315	" " Plate.....
160J	23315	" " " Screw.....
175175	23315	" " " Washer.....
140045K	23315	" " " Releasing Head Screw.....
175176	23315	" " " Lever.....
140046C	23315	" " " " Hinge Screw
175177	23315	" " " Rod.....
175178	-----	" " " " 175177 with 175173.....

No.	Plate	Name
175179	23315	Thread Nipper Releasing Rod Spring (low- er).....
175180	23315	Thread Nipper Releasing Rod Spring (low- er) Washer.....
175181	23315	Thread Nipper Releasing Rod Spring (up- per).....
175182	23315	Thread Nipper Releasing Rod Spring Collar with 465C (2).....
465C	23315	Thread Nipper Releasing Rod Spring Collar Set Screw (2).....
175183	23315	Thread Nipper Releasing Screw Stud.....
1722J	23315	" " " " " Nut..
175184	23315	" " " " " " Washer.....
175185	23314	Thread Nipper Releasing Stud.....
175161	23315	" " " Thread Guide Pin (3).....
175186	23315	" " " Pull-off (back).....
175187	23315	" " " " Holder with 160C and 1120C.....
160C	23315	Thread Pull-off (back) Holder Set Screw.
1120C	23315	" " " " Set Screw.....
175188	23315	" " (front).....
175189	23315	" " " " Holder with 1120C and 175190.....
175190	23315	Thread Pull-off (front) Holder Stop Pin.
1120C	23315	" " " " Set Screw.....
175191	23315	" " " Stop Collar with 160C and 175192.....
160C	23315	Thread Pull-off Stop Collar Set Screw..
175192	23315	" " " " Stop Pin....
175167	23315	" " " Thread Eyelet (2).....
*15404	-----	Trade Mark.....
15405	-----	" " " Rivet (2).....

From the library of: Harrod Needle Corp

## WORKS SUPPORTS

No.	Plate	Name
175848	23359	Work Support for 175849.....
175850	23359	Work Support for 175851.....
175849	23359	Work Support 175848 with 228J, 230J and 175709, for sewing metal eyelet or leather shank buttons, with a through and through stitch .....
175851	23359	Work Support 175850 with 228J, 230J and 175801, for sewing metal eyelet or leather shank buttons with a blind stitch.

## ACCESSORIES

No.	Plate	Name
175193	22884	Button Tray with three 175194.....
175194	22884	Button Tray Hinge Screw Stud (3).....
160C	23361	Button Tray Hinge Screw Stud Set Screw (2).....
175195	22884	Hand Wheel with two 1448AL.....
1448AL	22884	Hand Wheel Set Screw for 175195 (2).....
120342	22884	Oiler (copper plated) with 120343.....
120343	22884	Oiler Spout, 3-1/2 in. long .....
26026	22884	Screw Driver.....
175197	22884	Wrench for 140026.....
175198	22884	Wrench for 140027.....
175625	22884	Wrench for 140024.....

## MACHINE BASE

No.	Plate	Name
175829	23361	Machine Base with two 160C .....
175830	23361	Machine Base complete, Nos. 141C, 1637J, 140047C, 140765F, 175425, 175829, 175831, 175832 and four wood screws 7/8 in. No. 14 R.H.....
140047C	23361	Machine Locating Screw Stud.....
175115	23361	Machine Lock Plate with 175202, 175205 and 175206.....
175202	23361	Machine Lock Plate Position Stud.....
175205	-----	Machine Lock Stud.....
51656J	23361	Machine Lock Thumb Nut.....
175206	23361	Machine Lock Thumb Nut Screw Stud.....
175207	23361	Machine Lock Thumb Nut Spring.....
175536	23361	Machine Lock Thumb Nut Washer.....
175425	-----	Machine Lock complete, Nos. 51656J, 175115, 175207 and 175536 .....

## MACHINE BASE

No.	Plate	Name
175831	23361	Machine Starting Lever.....
140765F	23361	Machine Starting Lever Hinge Screw.....
175832	23361	Machine Starting Lever Spring .....
141C	23361	Machine Starting Lever Stop Screw .....
1637J	23361	Machine Starting Lever Stop Screw Nut .....

## STARTING LEVER AND FOOT LIFTER PARTS

No.	Plate	Name
175215	23361	Foot Lifter Chain, 37 in. long, with two 56865 .....
56865	23361	Foot Lifter Chain Hook (2).....
175216	23361	Foot Lifter Treadle.....
175217	23361	Foot Lifter Treadle Hinge Pin.....
175218	23361	Foot Lifter Treadle Stand.....
175219	23361	Foot Lifter Treadle complete, Nos. 175216, 175217, 175218 and two wood screws 1 in. No. 14 F.H. ....
175215	23361	Starting Lever Chain, 37 in. long, with two 56865.....
56865	23361	Starting Lever Chain Hook (2).....
175216	23361	Starting Lever Treadle.....
175217	23361	Starting Lever Treadle Hinge Pin.....
175218	23361	Starting Lever Treadle Stand.....
175219	23361	Starting Lever Treadle complete, Nos. 175216, 175217, 175218 and two wood screws 1 in. No. 14 F.H. ....

THREAD UNWINDER  
FOR ONE SPOOL

No.	Plate	Name
228764	23362	Spool Pin .....
228765	23362	Spool Rest with 201254C .....
150203	23362	Spool Rest Cushion (felt) .....
228767	23362	Spool Rest Rod .....
201254C	23362	Spool Rest Set Screw.....
228768	23362	Spool Stand .....
228769	23362	Thread Guide .....
228770	23362	Thread Guide Holder.....
228774	23362	Thread Guide Rod.....
228775	23362	Thread Unwinder complete, Nos. 150203, 228764, 228765, 228767, 228768, 228769, 228770, 228774 and three wood screws 7/8 in. No. 12 .....

## BELT AND PULLEY GUARD

No.	Plate	Name
175537	22885	Belt and Pulley Guard.....
175538	22885	Belt and Pulley Guard Fill-in Piece (metal) with two wood screws 3/4 in. No. 10 R.H., for Trough Power Tables.....
175539	22885	Belt and Pulley Guard Fill-in Piece (wood) with four wood screws 1-1/2 in. No. 12 F.H., for Flat Power Tables.....
175540	22885	Belt and Pulley Guard complete for Universal Motor Table and for No. 175544 Nos. 42830, 175537, 175543 and two wood screws 1 in. No. 14 F.H.....
175541	22885	Belt and Pulley Guard Hinge Pin.....
175542	22885	Belt and Pulley Guard Hinge Pin Bracket.....
175543	-----	Belt and Pulley Guard Hinge Pin Bracket 175542 with 175541.....
42830	22885	Belt and Pulley Guard Hinge Pin Cotter Pin.....
175544	22885	Belt and Pulley Guard with Fill-in Pieces complete, Nos. 175538 to 175540.....

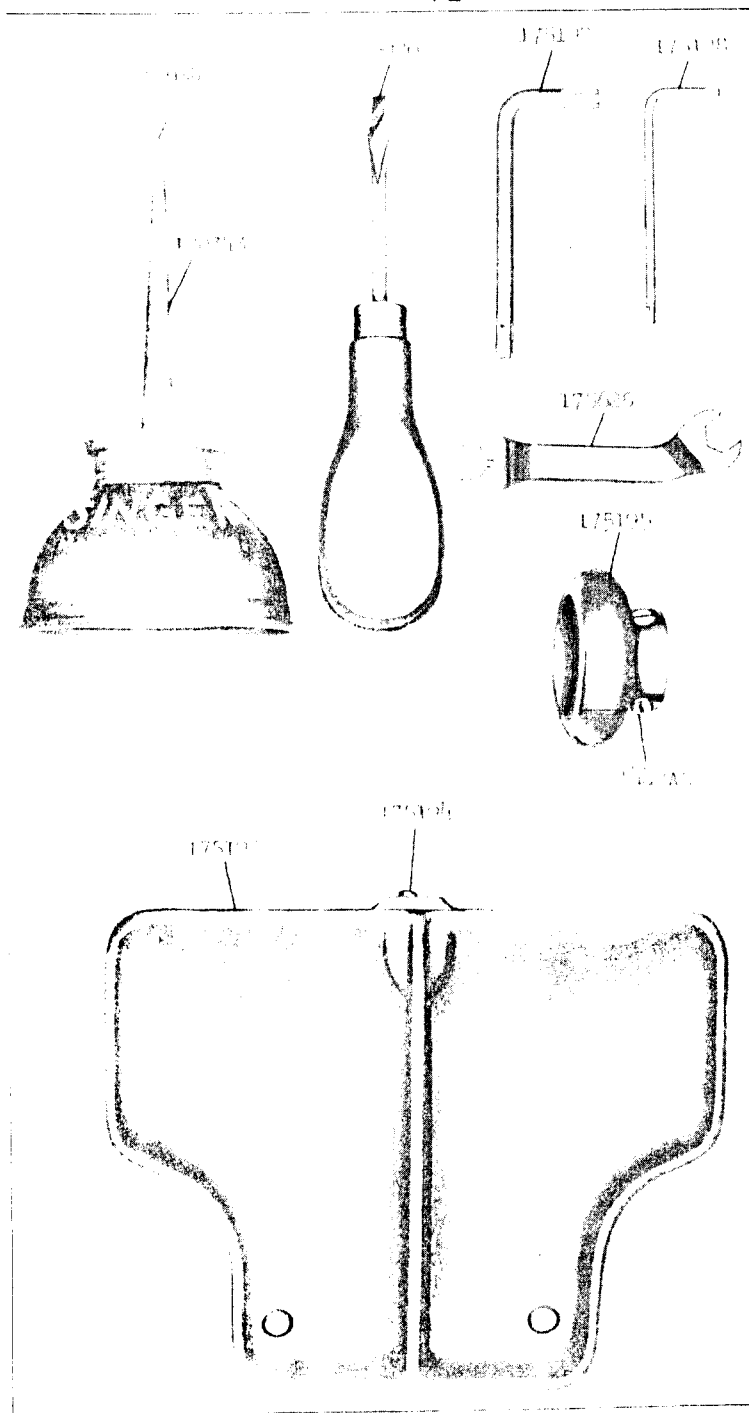
## TABLE BELT GUIDE

No.	Plate	Name
175220	22885	Belt Guide (left) with 140035C.....
175221	22885	Belt Guide (right) with 140035C.....
140035C	22885	Belt Guide Set Screw.....
175222	22885	Pulley.....
175223	-----	Pulley Shaft.....
175224	-----	Pulley Shaft 175223 with 1259E and 175227.....
175225	22885	Pulley Shaft Bracket with 444C.....
1259AL	22885	Pulley Shaft Oil Plug Screw.....
175227	22885	Pulley Shaft Oil Wick.....
444C	22885	Pulley Shaft Set Screw.....
175228	22885	Table Belt Guide complete, Nos. 175220, 175221, 175224, 175225 and two each 175222 and wood screws 7/8 in. No. 14 R.H.....

## NUMERICAL LIST OF PARTS

No.	Plate	Name
120X	23343	Face Plate Screw.....
127X	23345	Feed Cam Screw.....
134E	23338	Needle Bar Eccentric Pawl Bracket Screw
141C	23361	Machine Base Machine Starting Lever Stop Screw for 175830.....
160J	23342	Button Clamp Arm Hinge Pin Bracket Screw.....
160E	23341	Button Clamp Lifting Rod Arm Clamping Screw for 175048.....
160J	23346	Button Clamp Lifting Rod Arm Stop Plate Screw.....
160C	23346	Button Clamp Lifting Rod Spring Stop Collar Set Screw for 175051.....
160C	23361	Button Tray Hinge Screw Stud Set Screw for 175829.....
160J	23356	Clamp Opening Pin Connection Clamping Screw for 175290.....
160J	23342	Feed Plate Carrier Regulator Spring Screw (Bed End).....
160E	23343	Needle Bar Connecting Link Hinge Stud Clamping Screw for 175810.....
160J	23344	Clamp Opening Pin Plate Screw for 175-63 Machine.....
160J	23339	Stop Motion Retaining Collar Screw.....
160C	23339	Stop Motion Trip Screw.....
160C	23340	Thread Nipper Plate Screw.....
160C	23341	Thread Pull-off (back) Holder Set Screw for 175187.....
160C	23341	Thread Pull-off Stop Collar Set Screw for 175191.....
176C	23341	Button Clamp Lifting Link Screw (upper) for 175041.....
185J	23343	Face Plate Thread Guide (lower) Plate Screw for 175772.....
190K	23353	Button Clamp Lifting Chain Bracket Set Screw for 175647.....
190K	23353	Button Clamp Lifting Chain Screw (lower) for 175647.....
190J	23341	Button Clamp Lifting Link Screw (upper) Lock Screw for 175041.....
190J	23342	Feed Plate Carrier Guide Block (left) Screw.....
190J	23342	Feed Plate Carrier Guide Block (right) Screw.....
191J	23348	Button Holder Screw for 175684.....
202J	23356	Clamp Lifting Chain Connection Screw for 175845.....
218D	23337	Needle Guide Thread Finger Screw for 175546.....
223J	23353	Button Clamp Opening Handle Screw for 175749.....

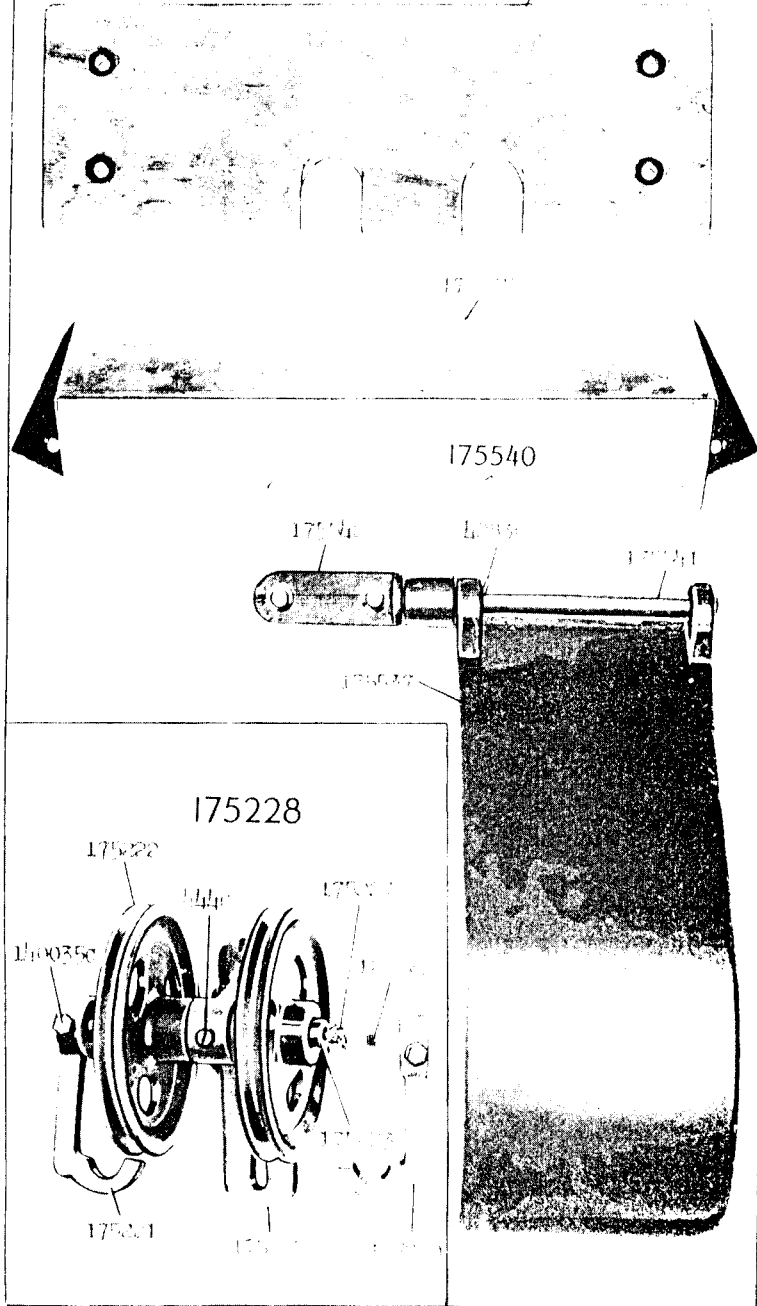
No.	Plate	Name
175877	-----	Needle Guide (less thread finger) with 175131, for 175546 .....
175878	23345	Needle Bar Vibrating Lever Hinge Screw Slide with 140034C.....
175881	23339	Stop Motion Retaining Collar Stud for 175883.....
175882	23339	Stop Motion Trip Block with 140862AL for 175883 .....
175883	-----	Stop Motion Trip Block 175882 with 175881 ..
175884	-----	Pulley Shaft 175142 with 175860 and 175150, for 175870.....
200125F	23343	Needle Set Screw for 175396.....
201254C	23362	Thread Unwinder Spool Rest Set Screw for 228765 .....
202098	23343	Face Plate Thread Guide (lower) Roller for 175772.....
228764	23362	Thread Unwinder Spool Pin for 228775.....
228765	23362	Thread Unwinder Spool Rest with 201254C, for 228775 .....
228767	23362	Thread Unwinder Spool Rest Rod for 228775
228768	23362	Thread Unwinder Spool Stand for 228775....
228769	23362	Thread Unwinder Thread Guide for 228775..
228770	23362	Thread Unwinder Thread Guide Holder for 228775 .....
228774	23362	Thread Unwinder Thread Guide Rod for 228775 .....
228775	23362	Thread Unwinder complete, Nos. 150203, 228764, 228765, 228767, 228768, 228769, 228770, 228774 and three wood screws 7/8 in. No. 12.....



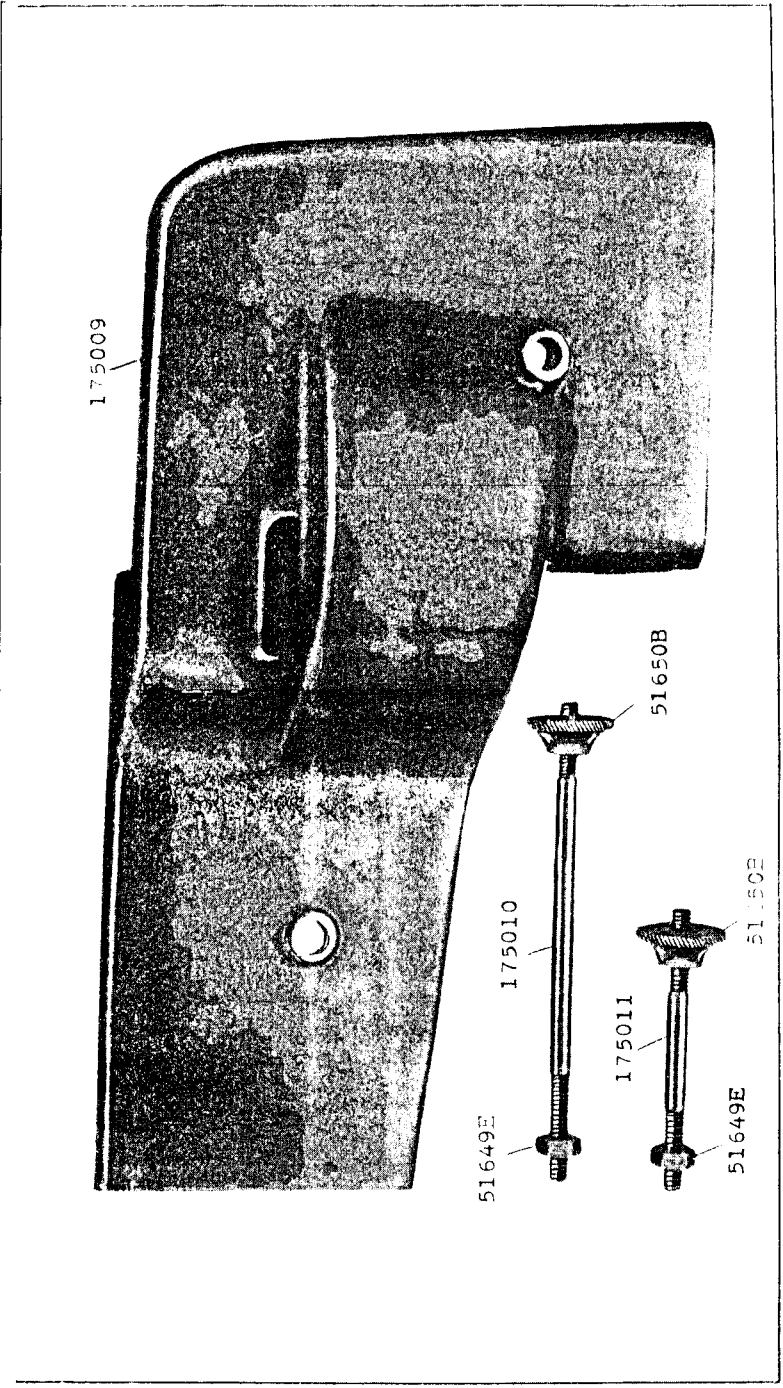
From the library of: Diamond Needle Corp

22885 - 1/3

175544



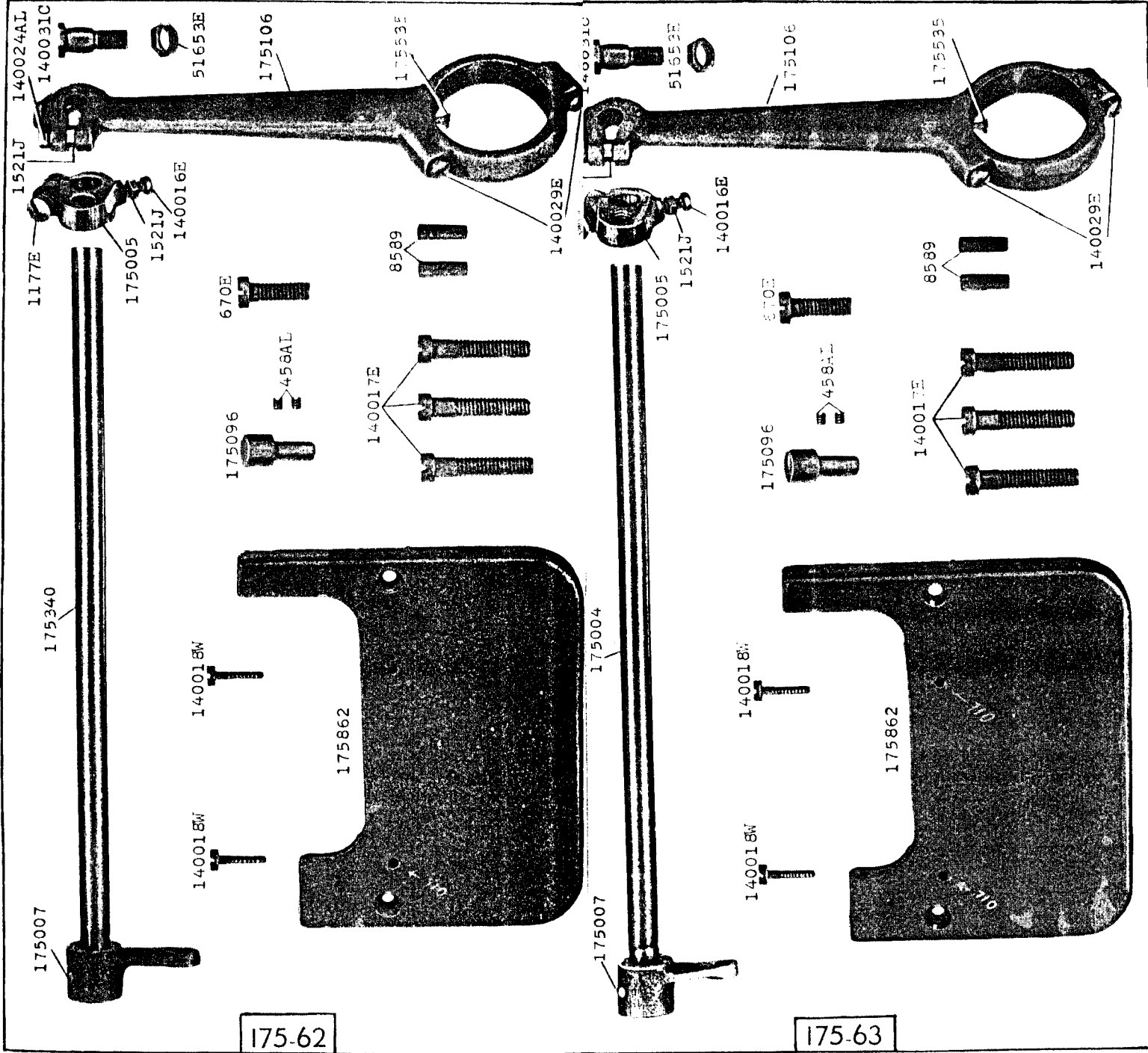
23334-1/2



From the library of: Diamond Needle Corp

23335-1/2

23336-1/2



175-62

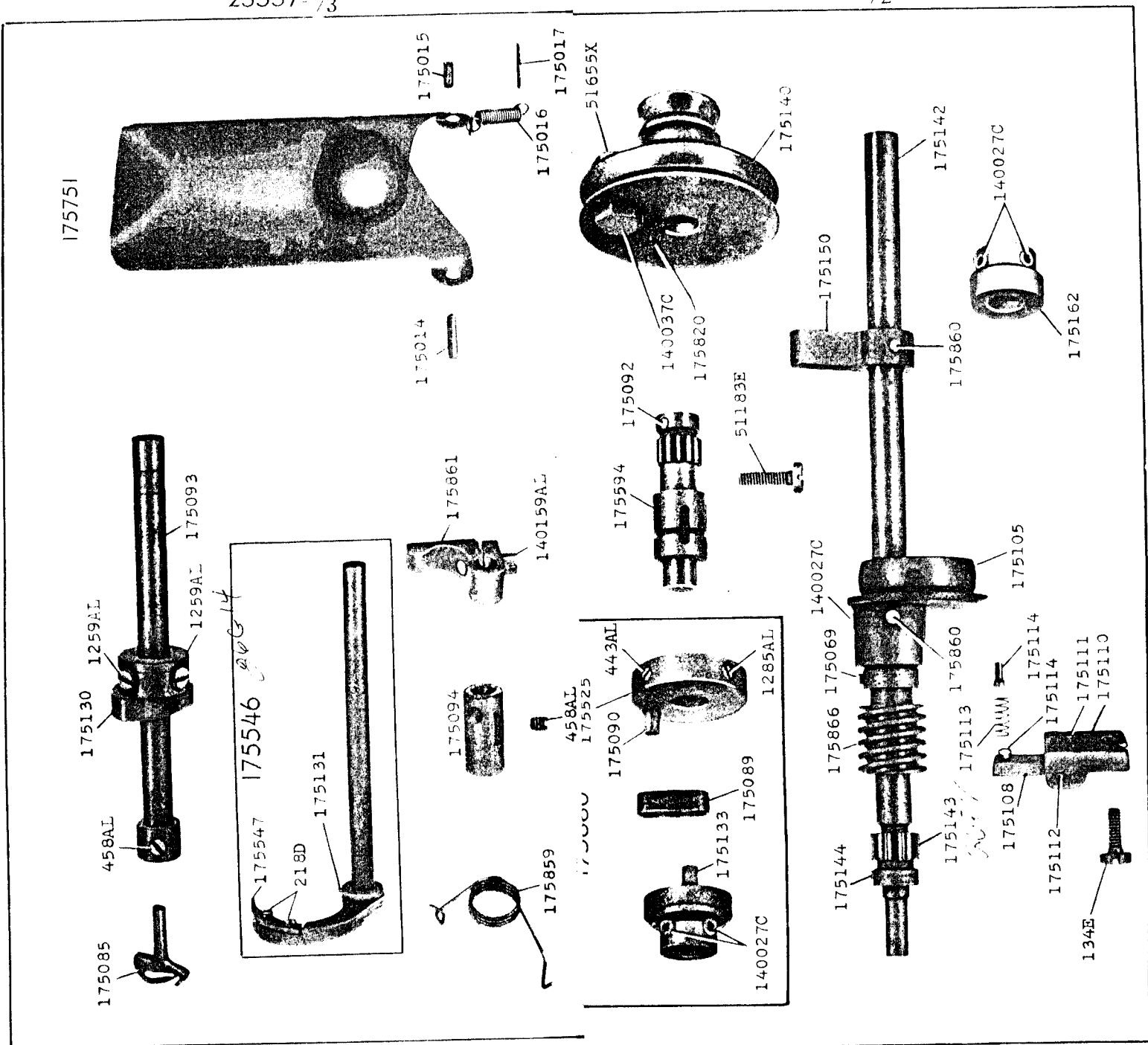
175-63

From the library of: Diamond Needle Corp

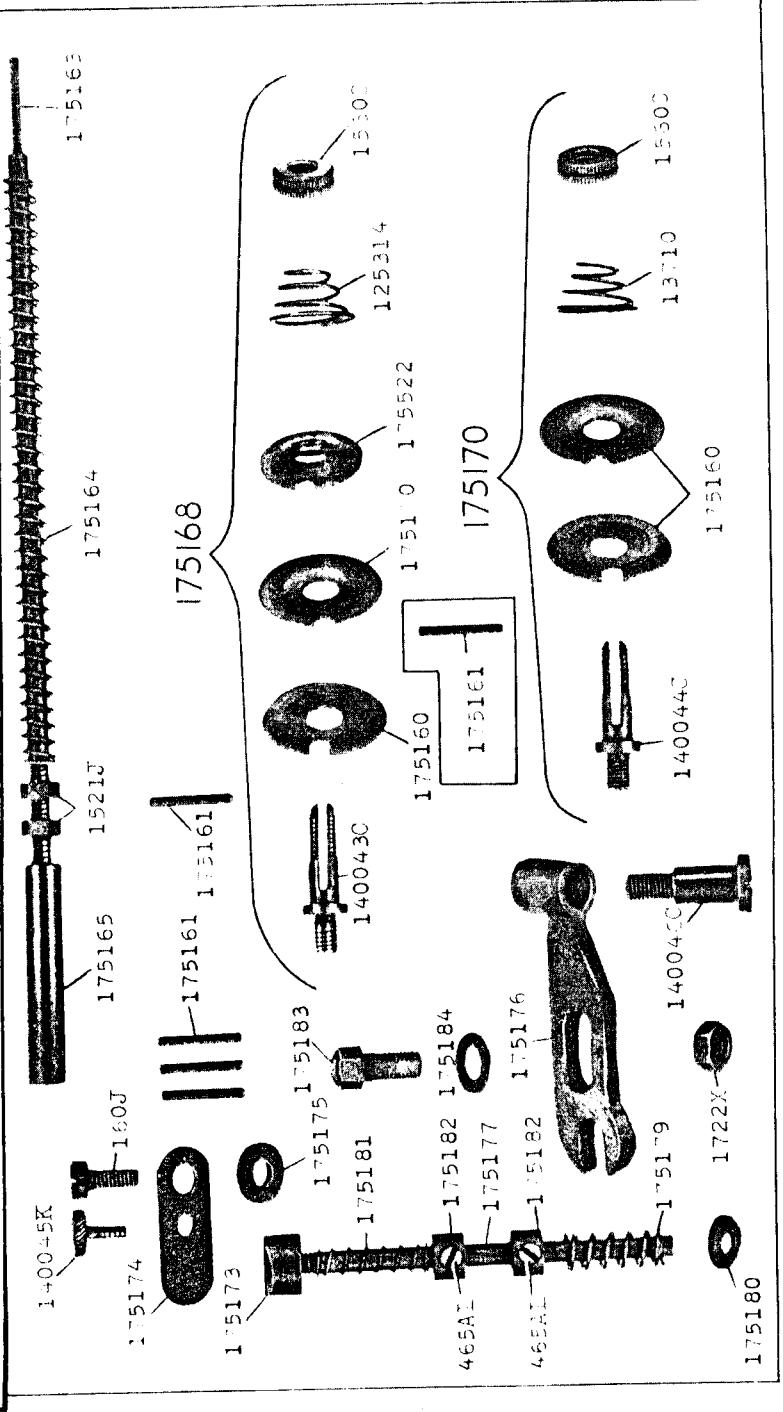
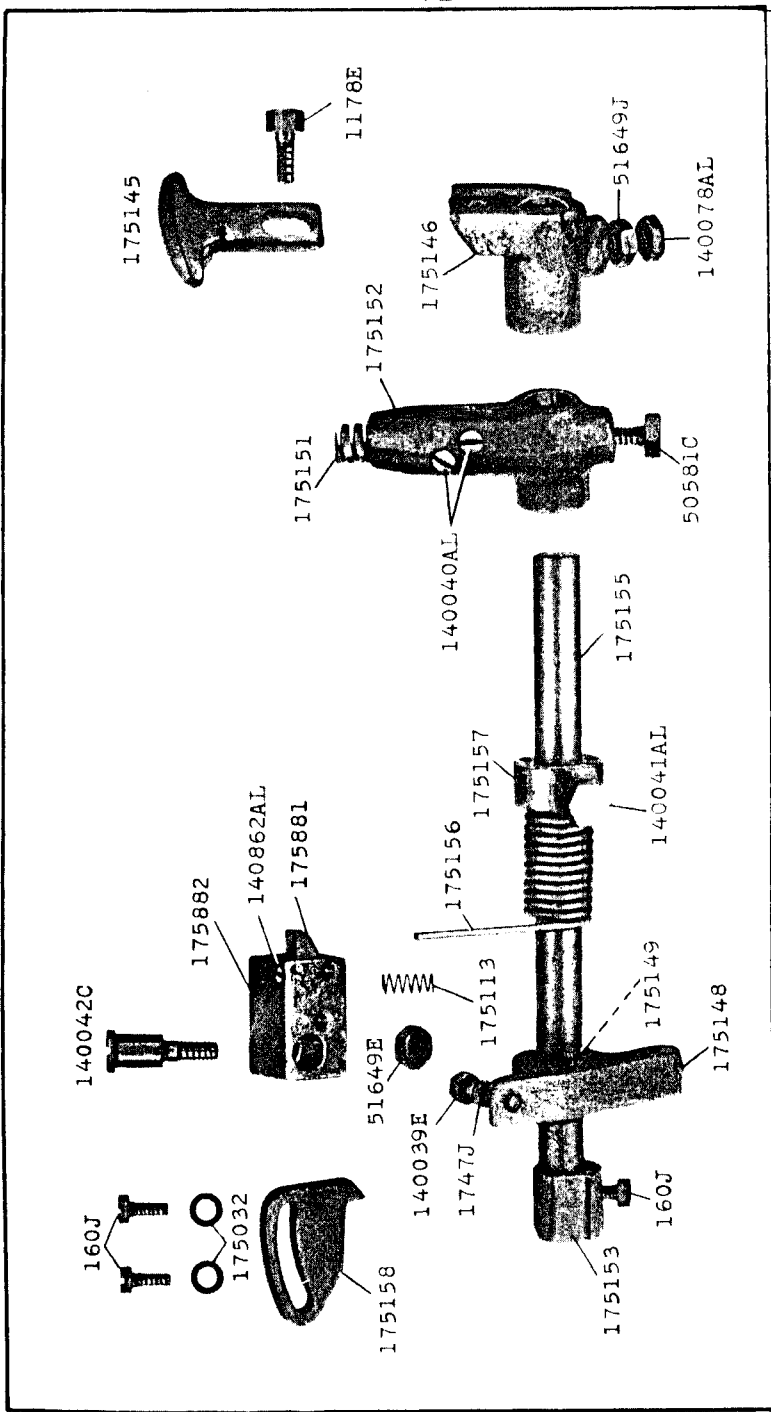


23337-2/3

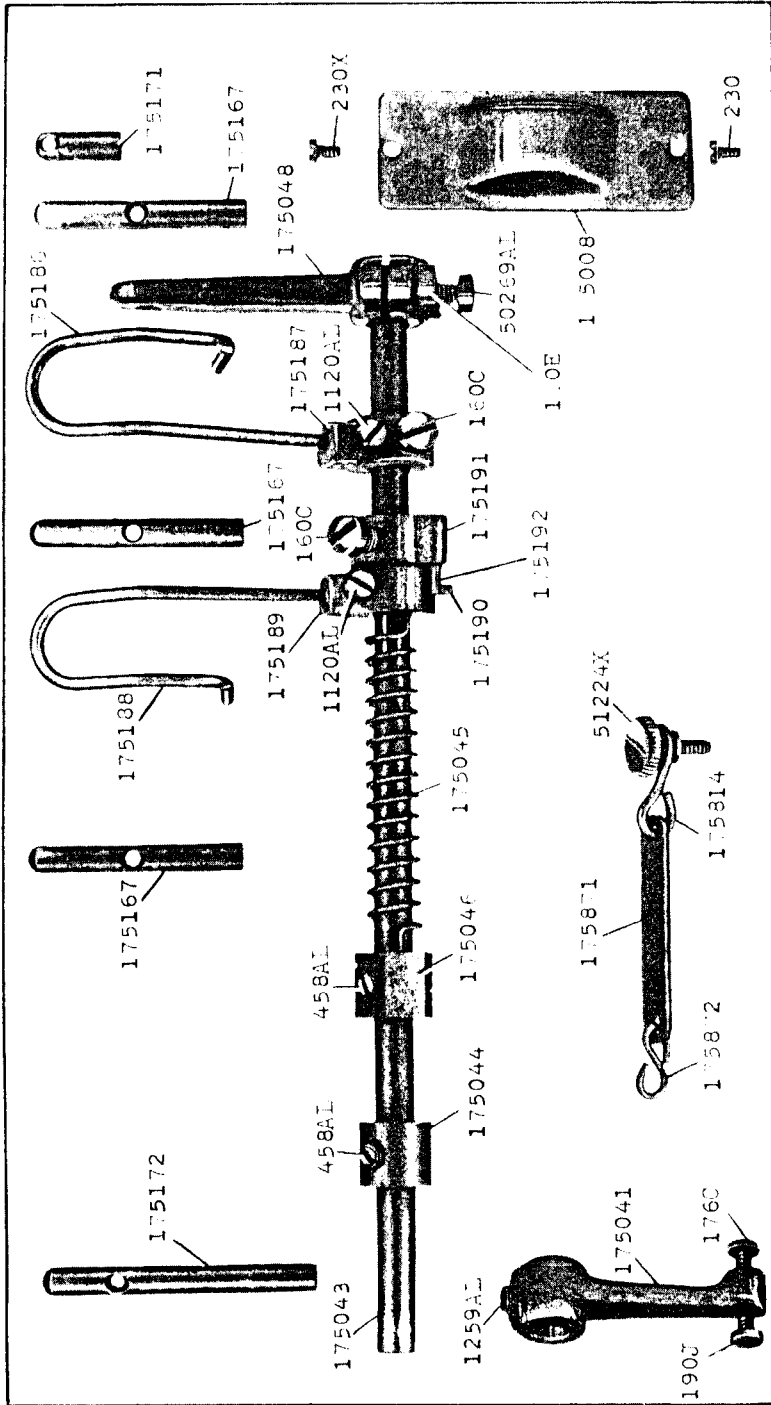
23338-1/2



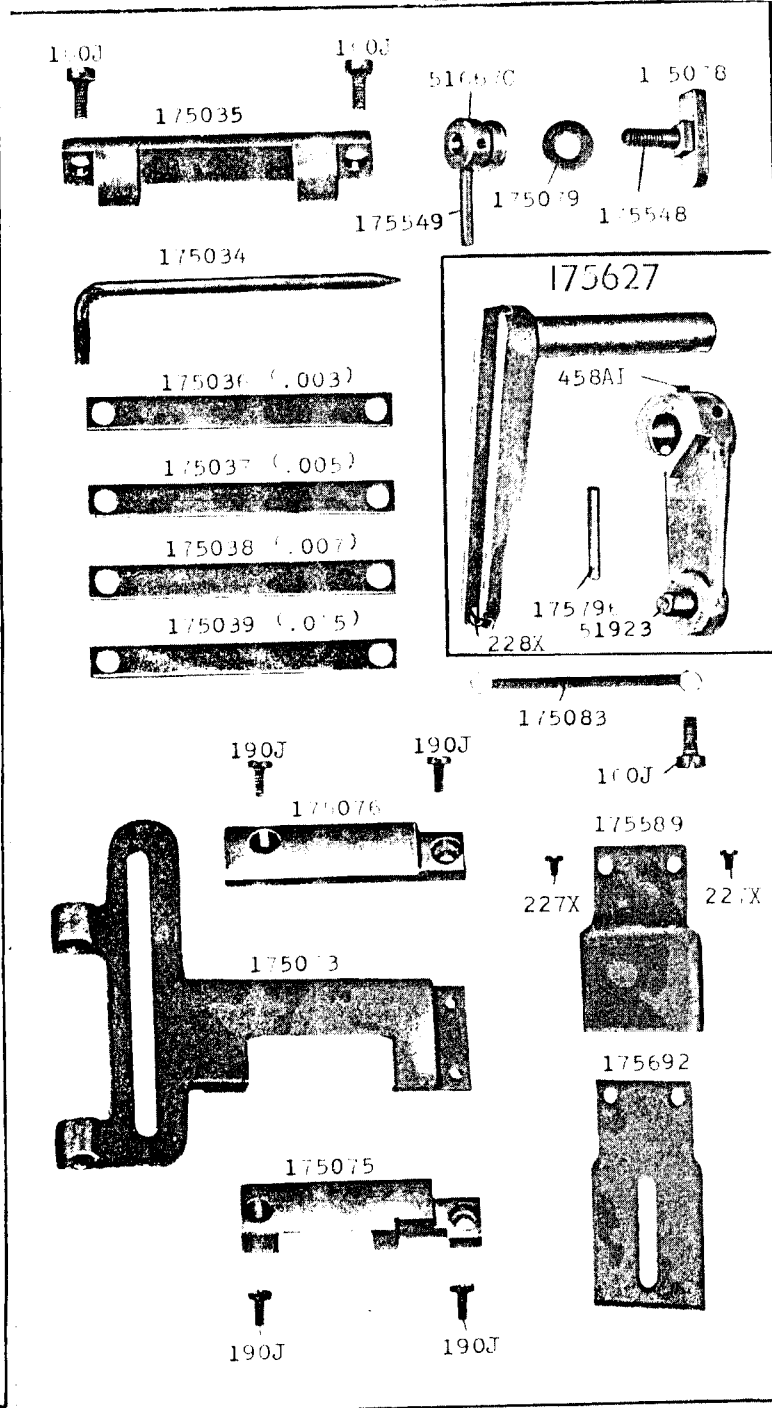
From the library of: Diamond Needle Corp



23341-2/3



23342-1/2

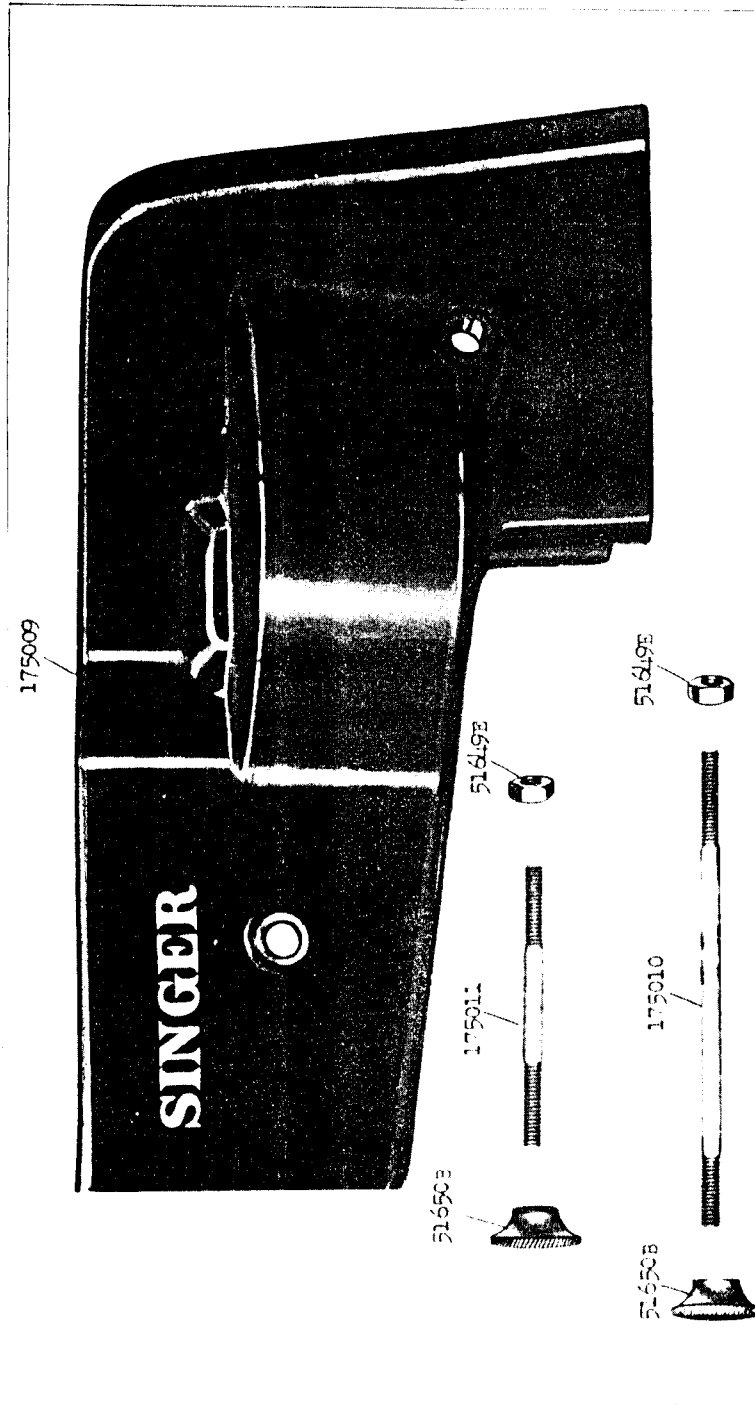


No.	Plate	Name
225322	22893	Thread Unwinder Thread Guide Rod Washer for 225324.....
225324	22893	Thread Unwinder Thread Guide Rod with 208AL and 225322, for 225260.....
225326	22893	Thread Unwinder Thread Guide Position Cup for 225260.....
225388	22893	Thread Unwinder Spool Rest Rod for 225260.....
225390	22893	Thread Unwinder Thread Cone Holder, for inverted cones for 225260.....
225391	22893	Thread Unwinder Thread Guide for 225260.

SINGER Needles should be used in SINGER Machines. These Needles and their Containers are marked with the Company's Trade-Mark "SIMANCO.\*\*" 1

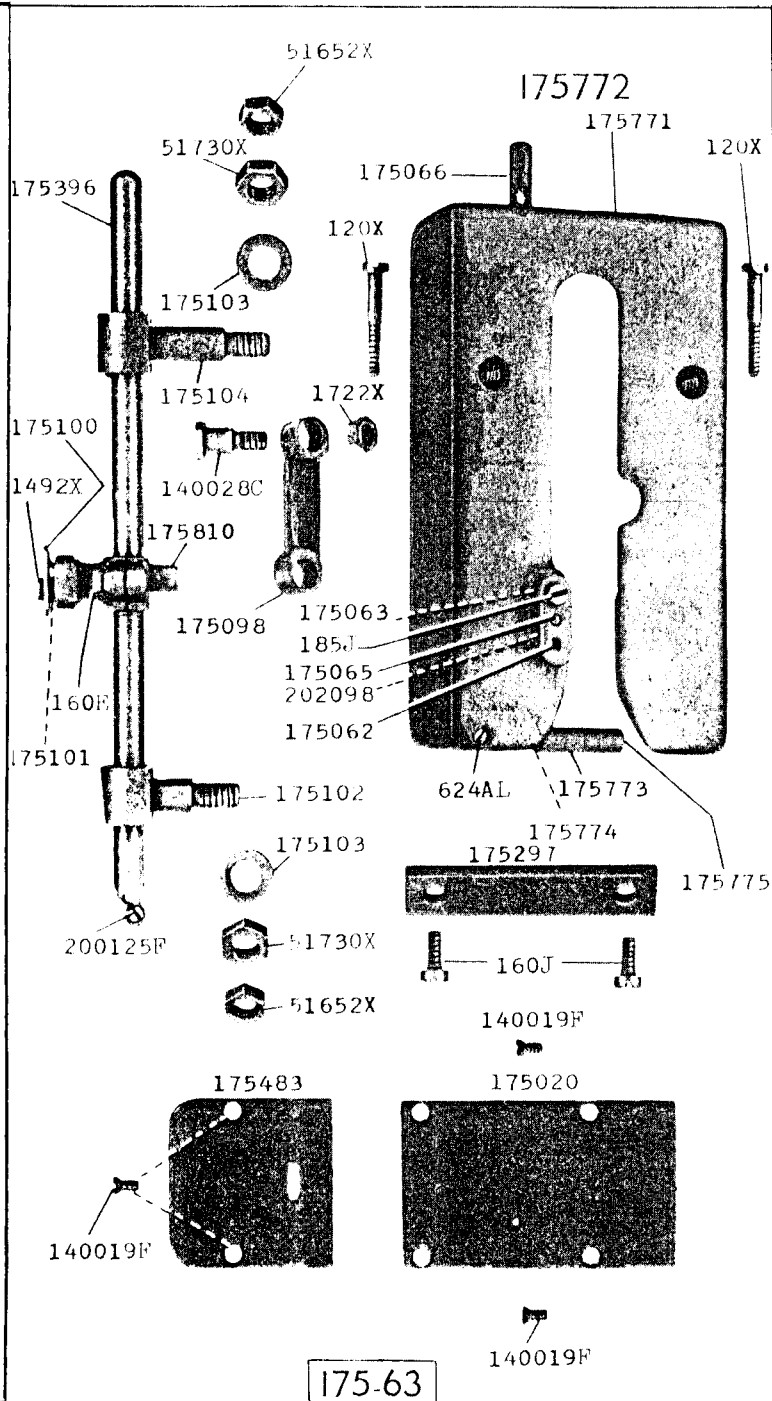
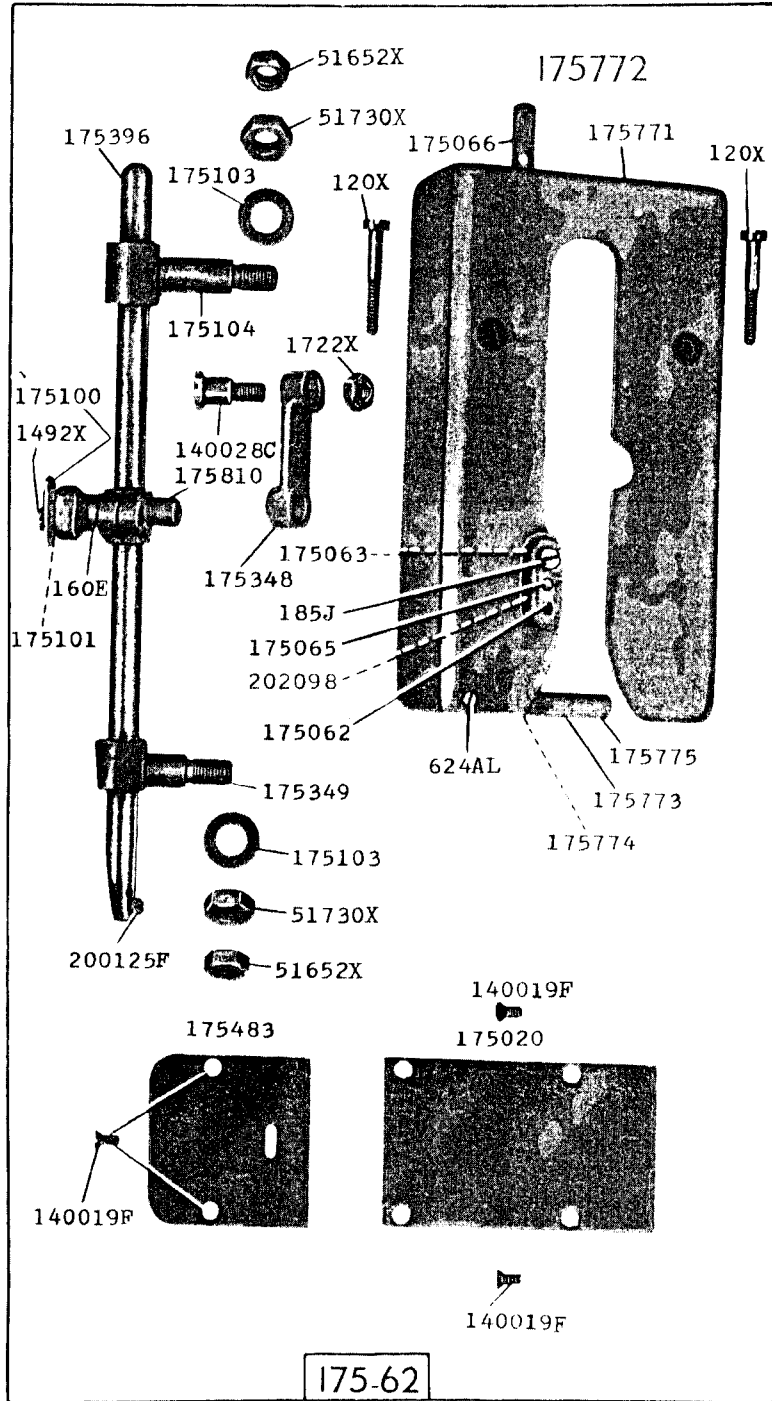
Needles in Containers marked "FOR SINGER MACHINES" are NOT **SINGER** made needles. 2

22862 - 1/2



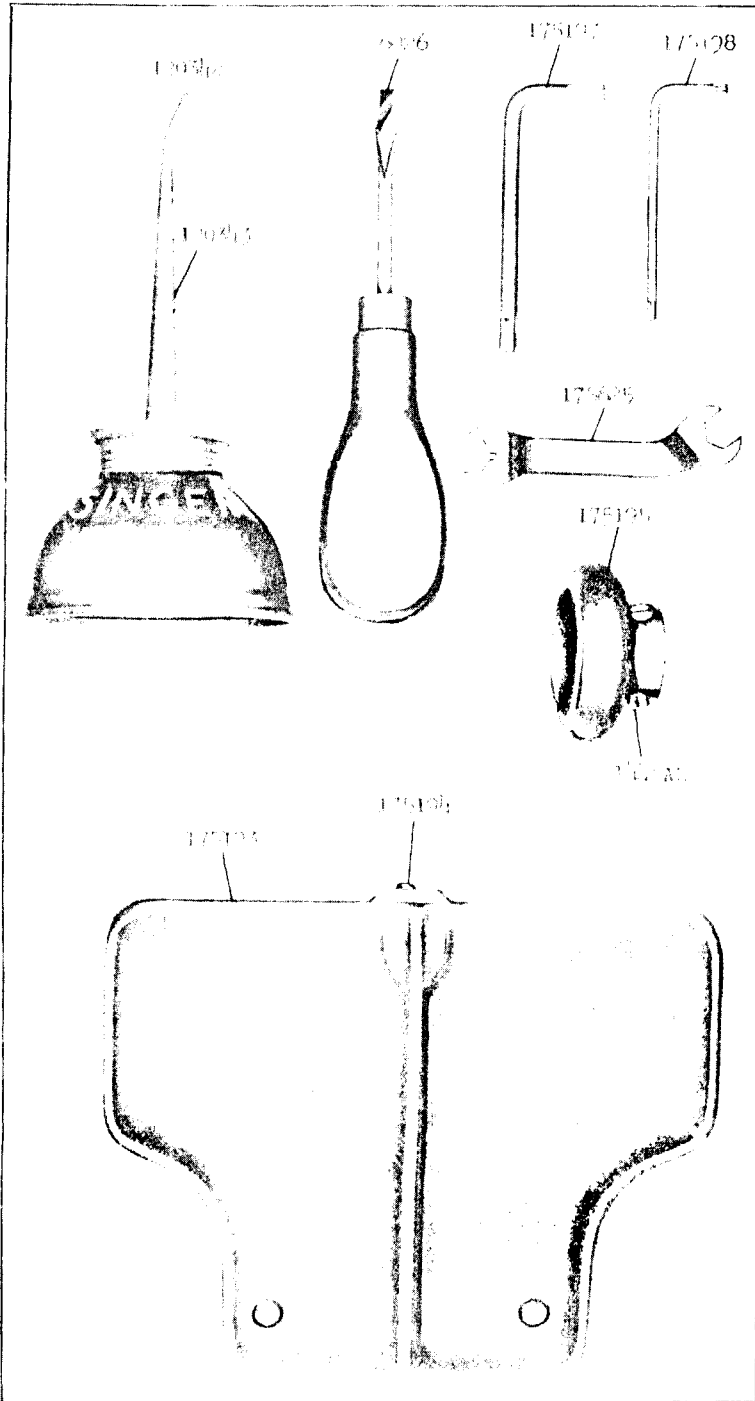
23343-1/2

23344 1/2

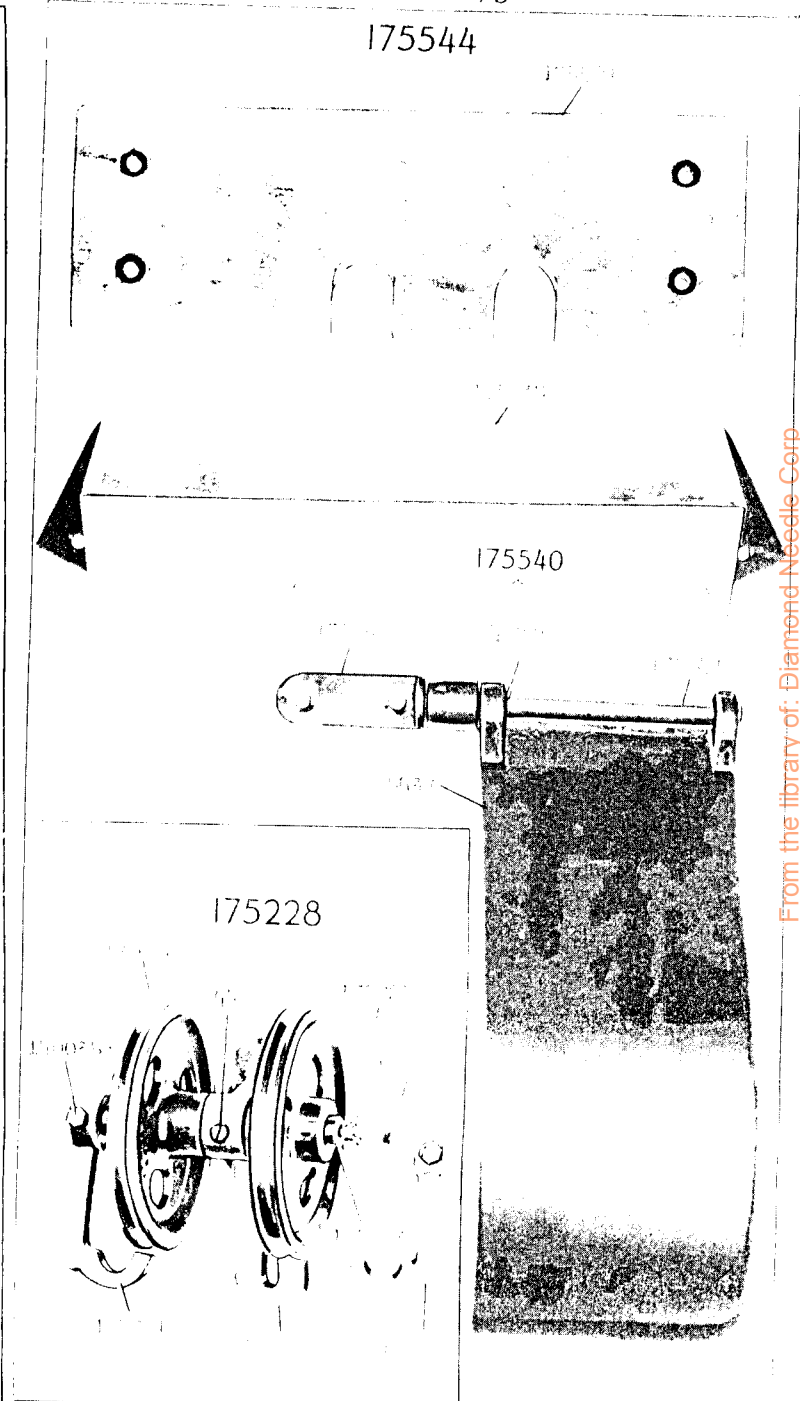


From the library of: Diamond Needle Corp

22884 - 1/2

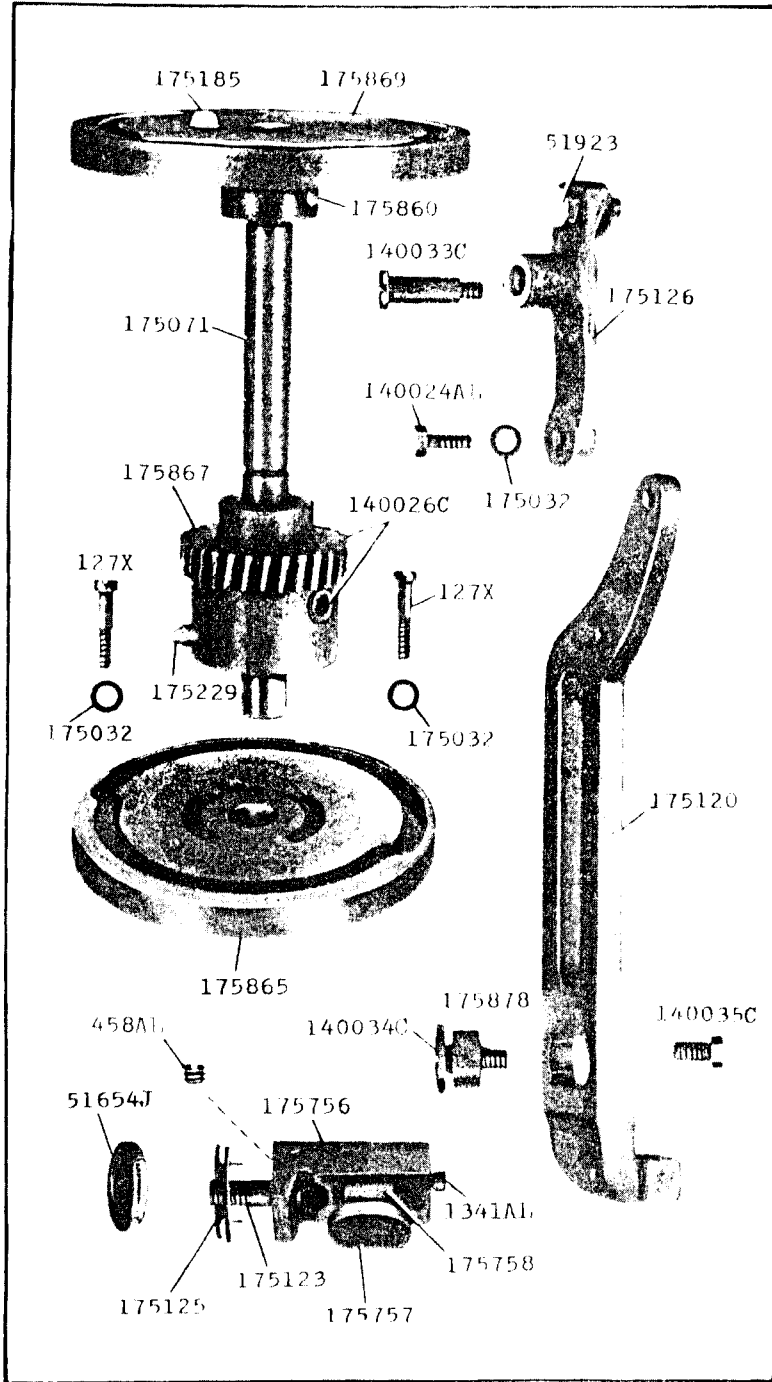


22885 - 1/3

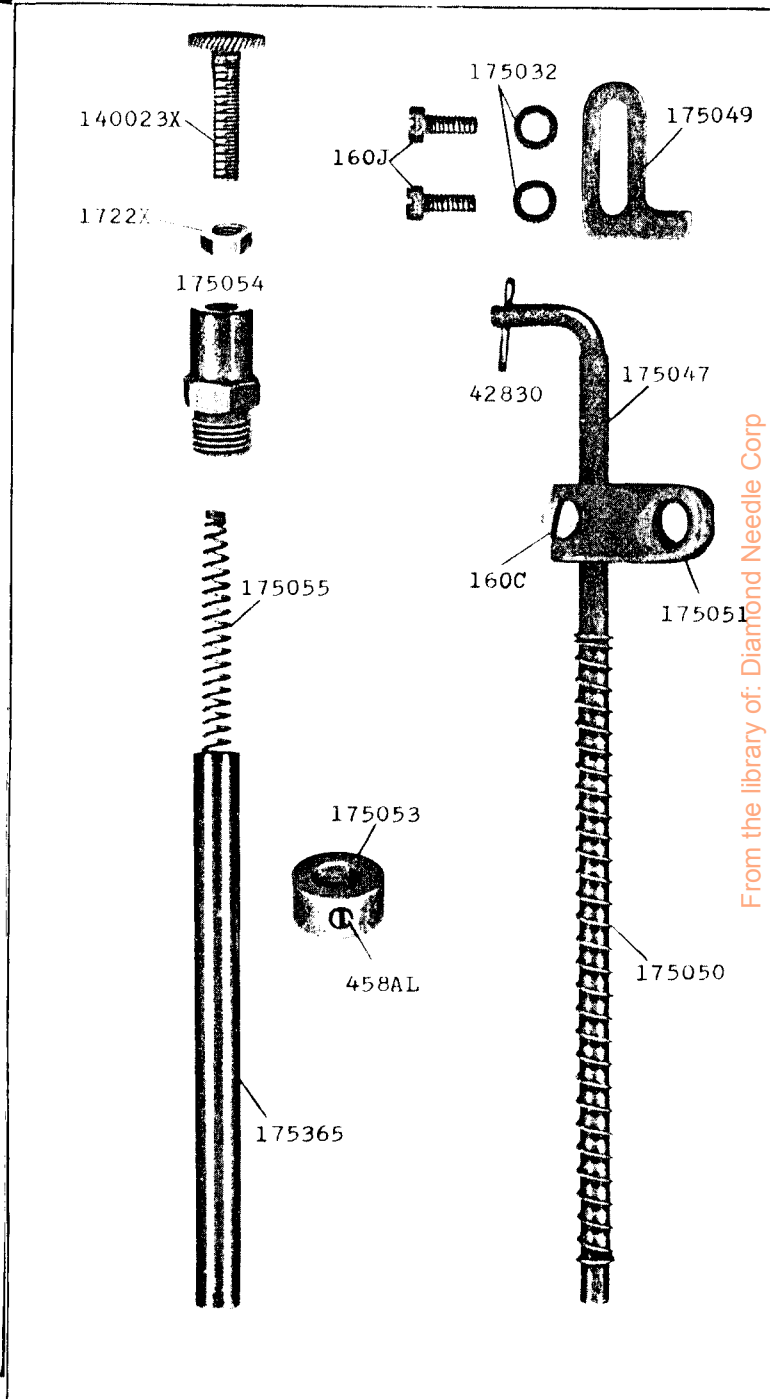


From the library of: Diamond Needle Corp

23345 1/2



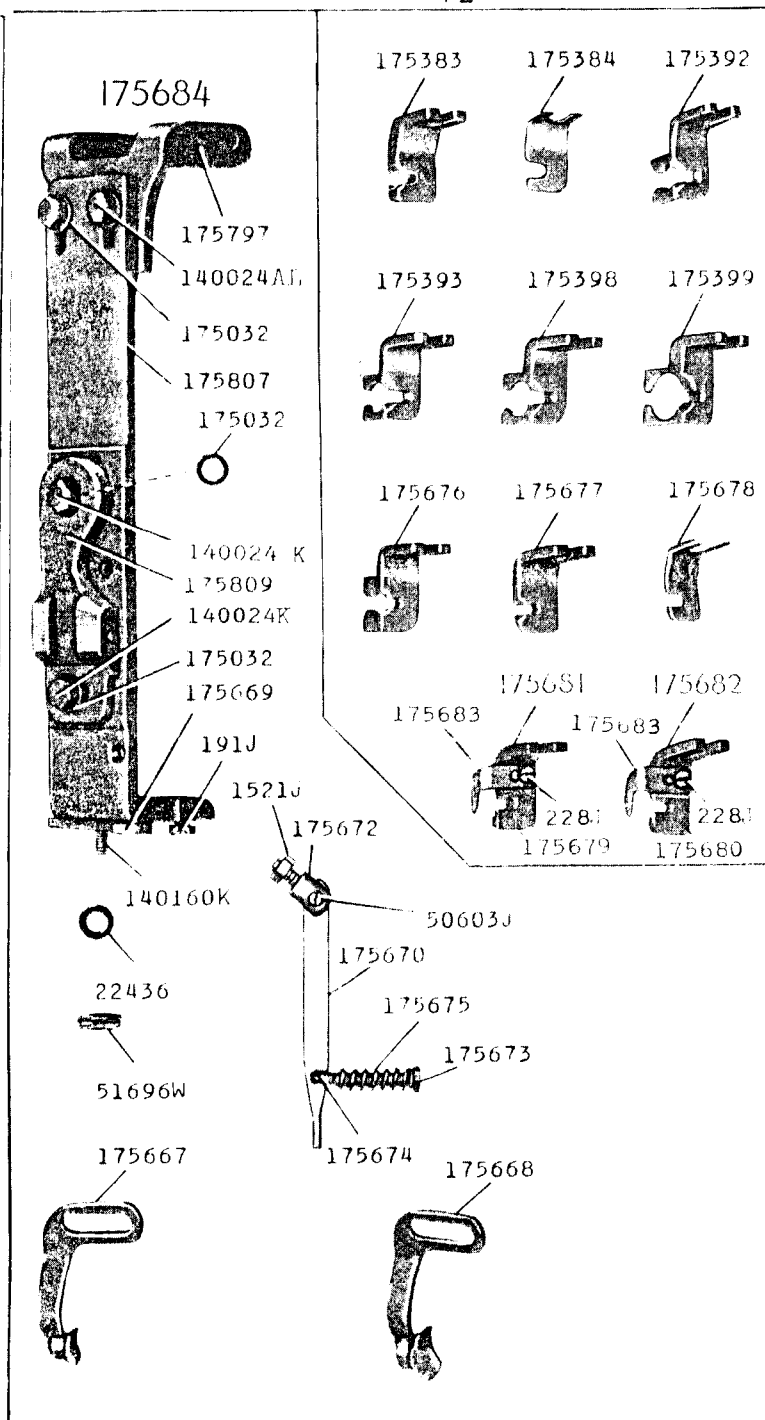
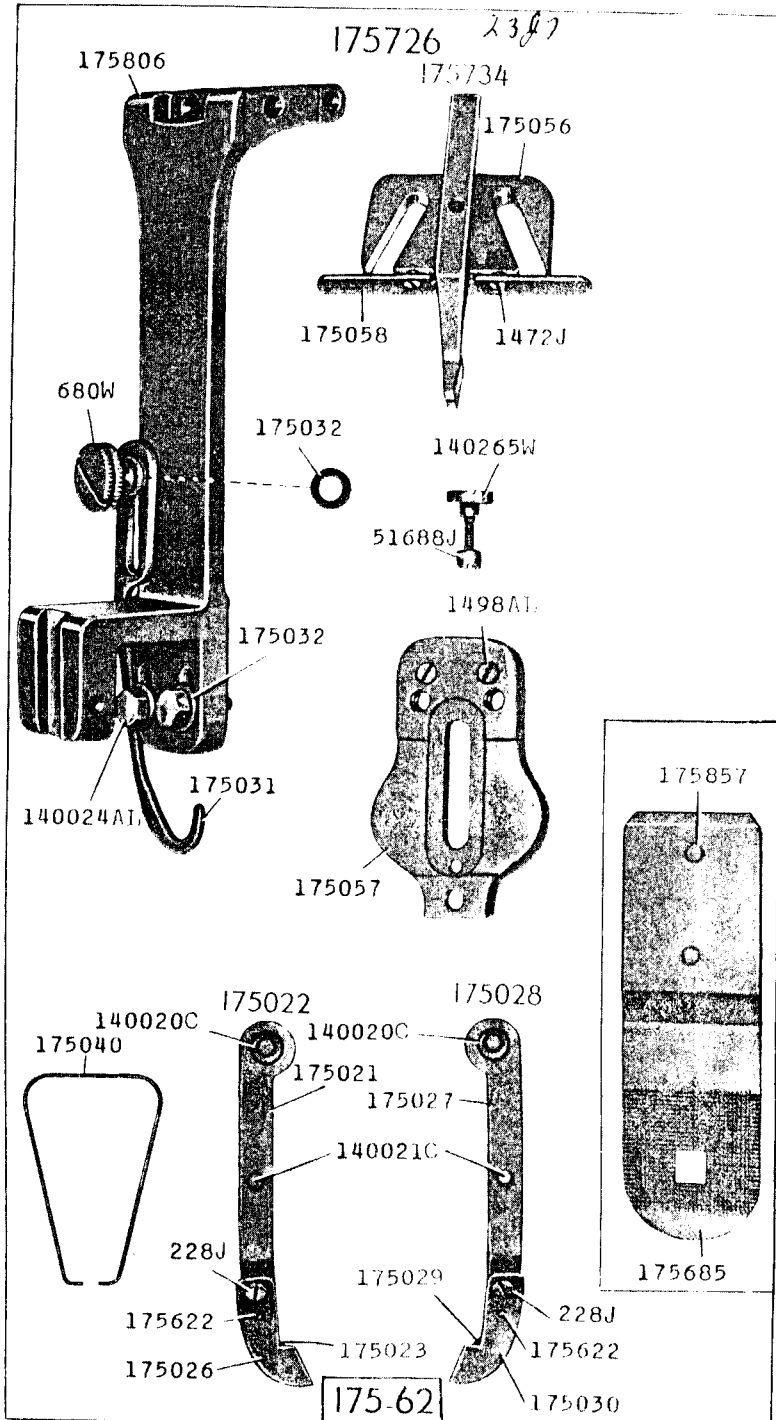
23346-2/3



From the library of: Diamond Needle Corp

23347-2/3

23348-1/2

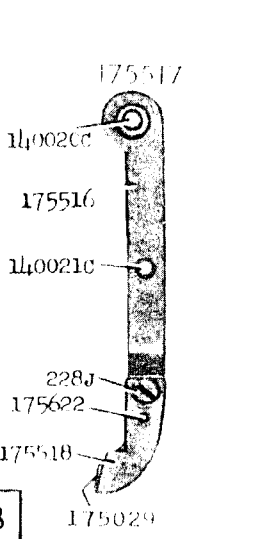
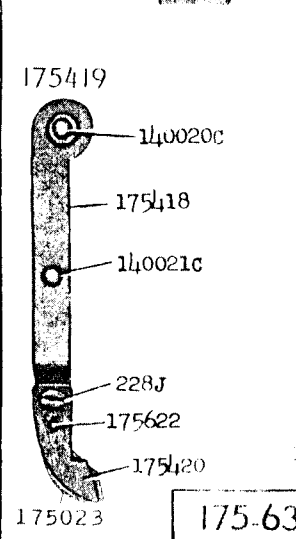
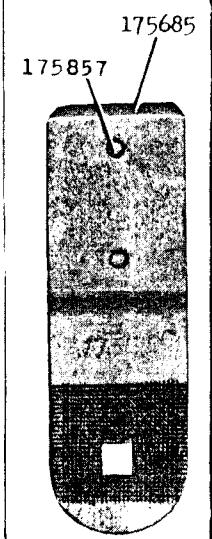
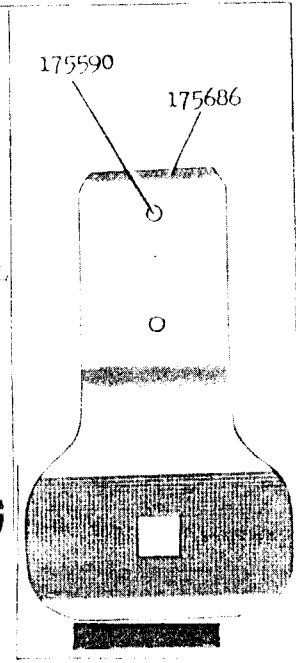
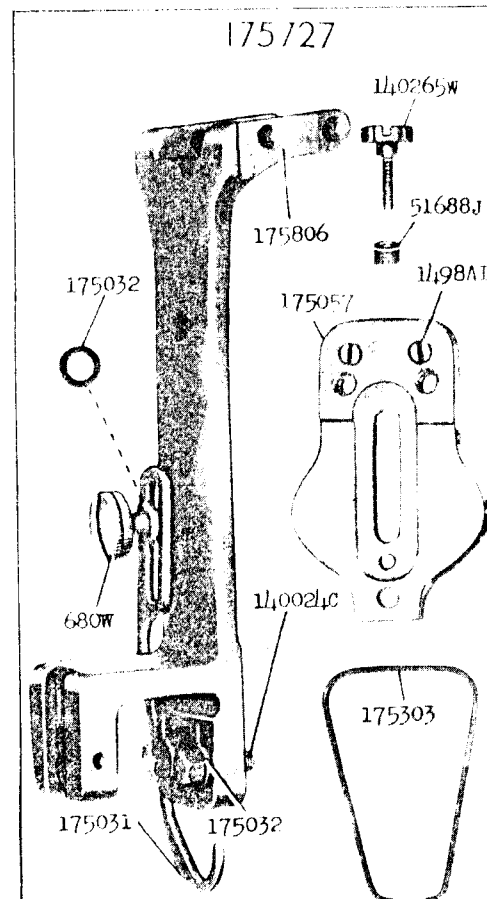
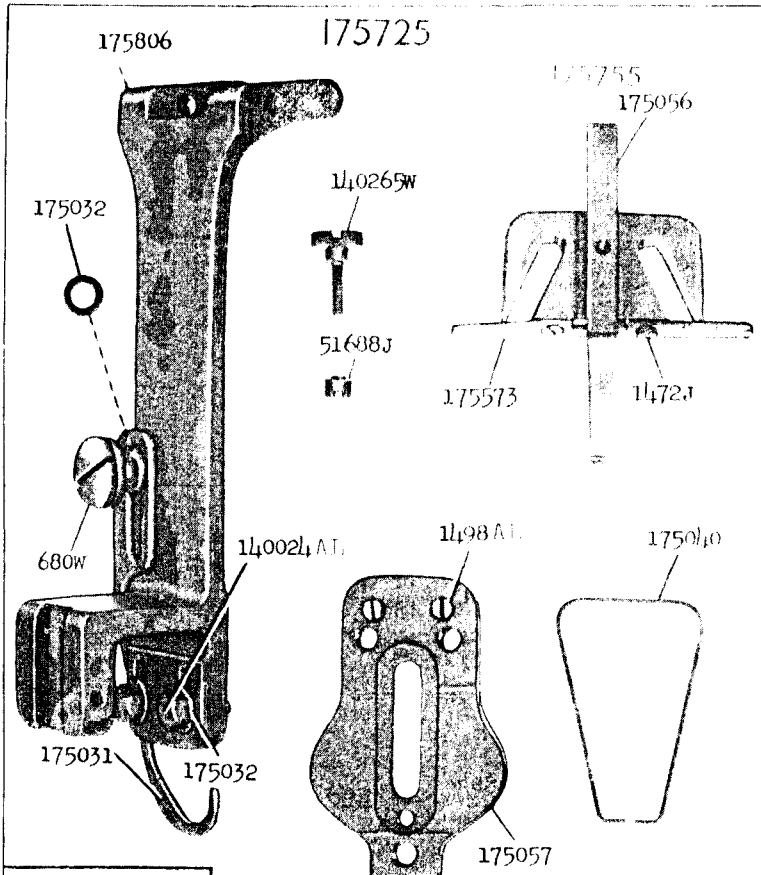


From the library of: Diamond Needle Corp

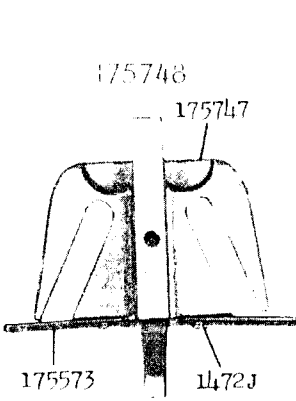
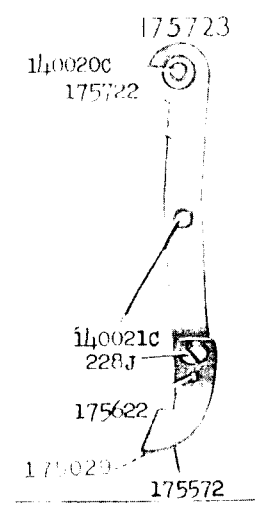
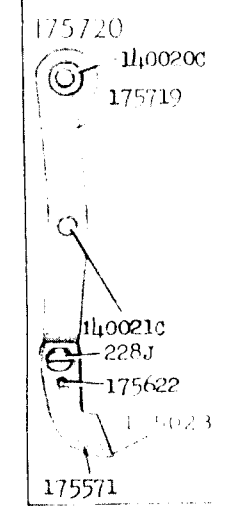


23349-2/3

23350-2/3



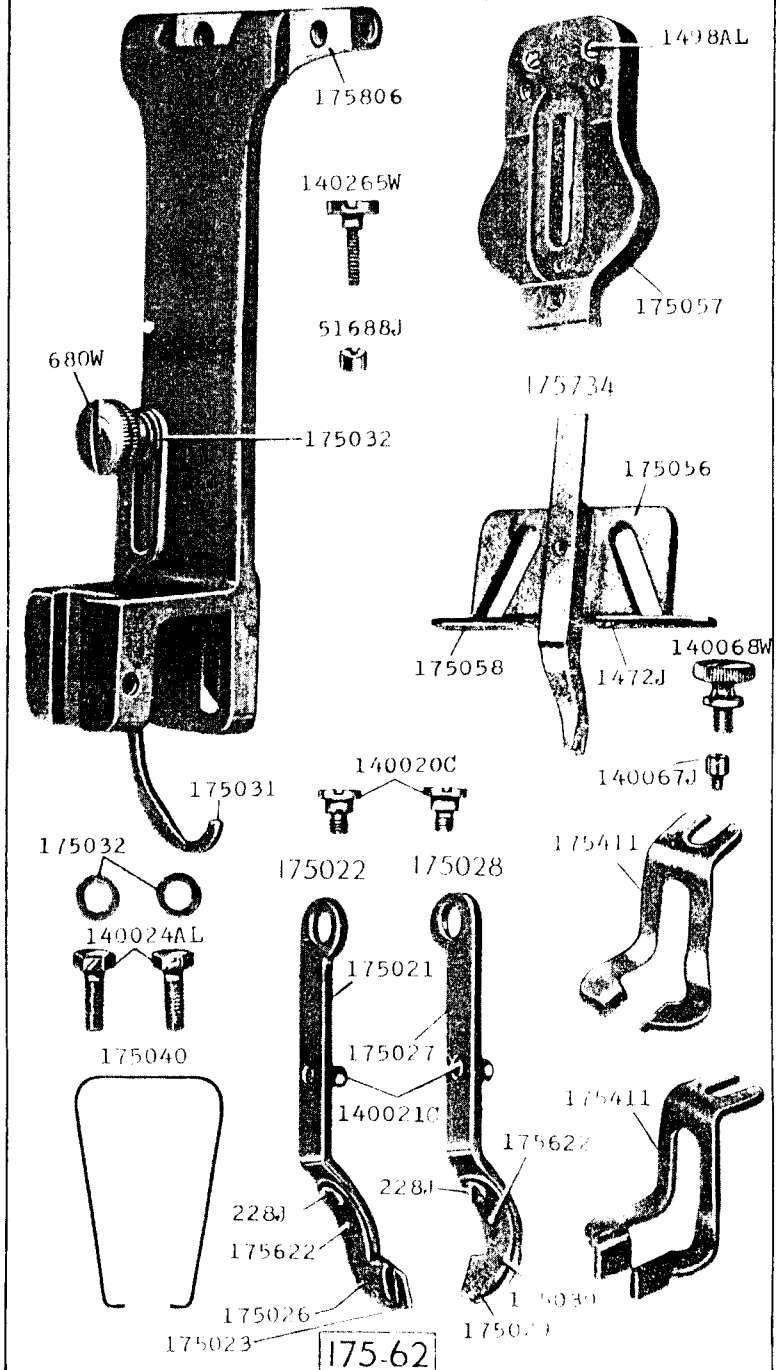
175-63



From the library of: Diamond Needle Corp

23351-2/3

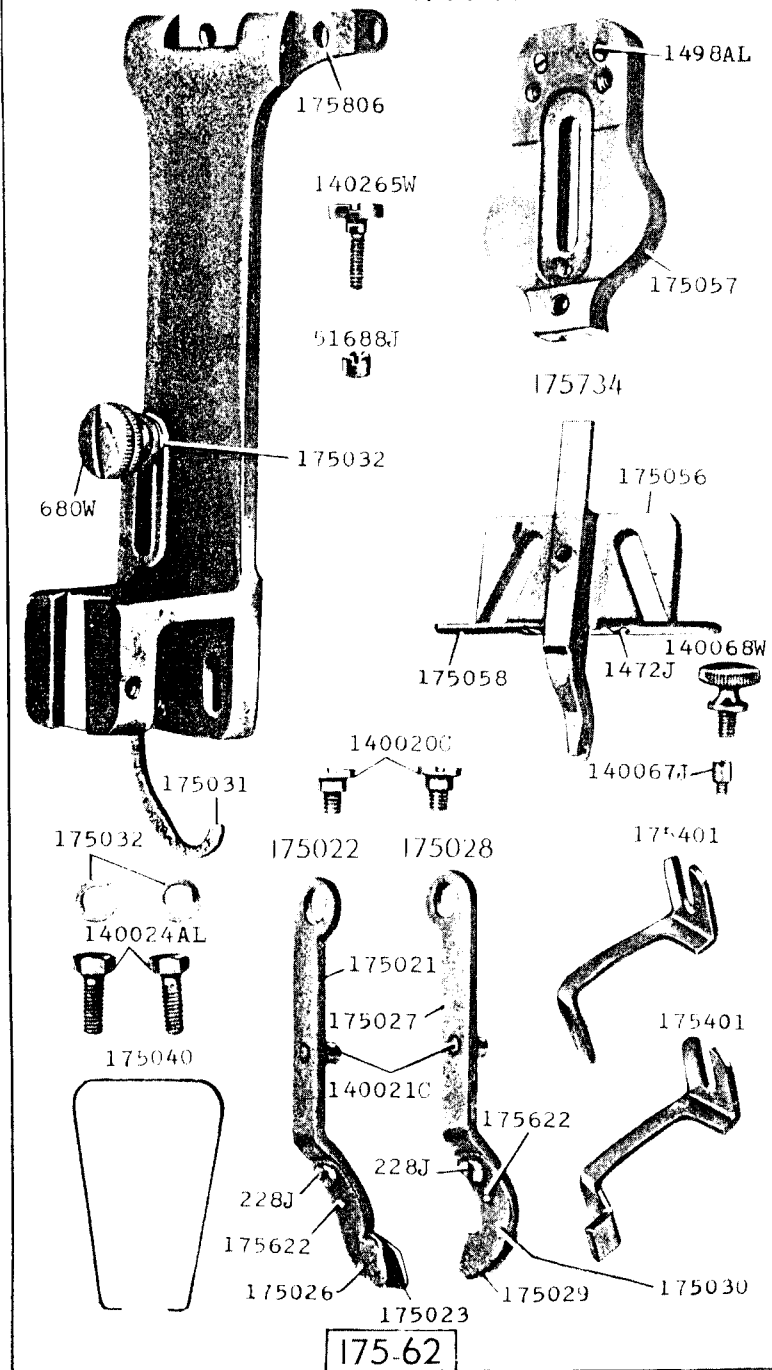
175744



175-62

23352-2/3

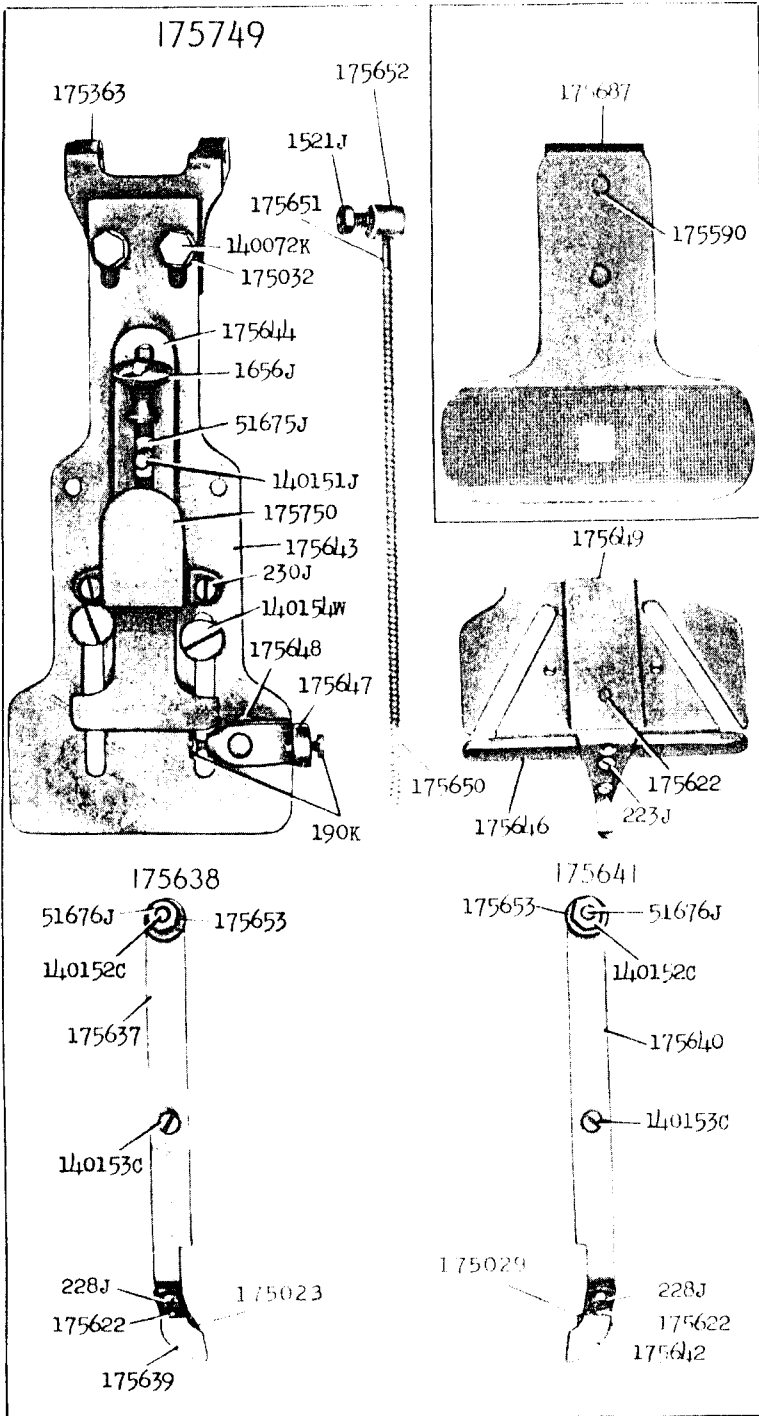
175746



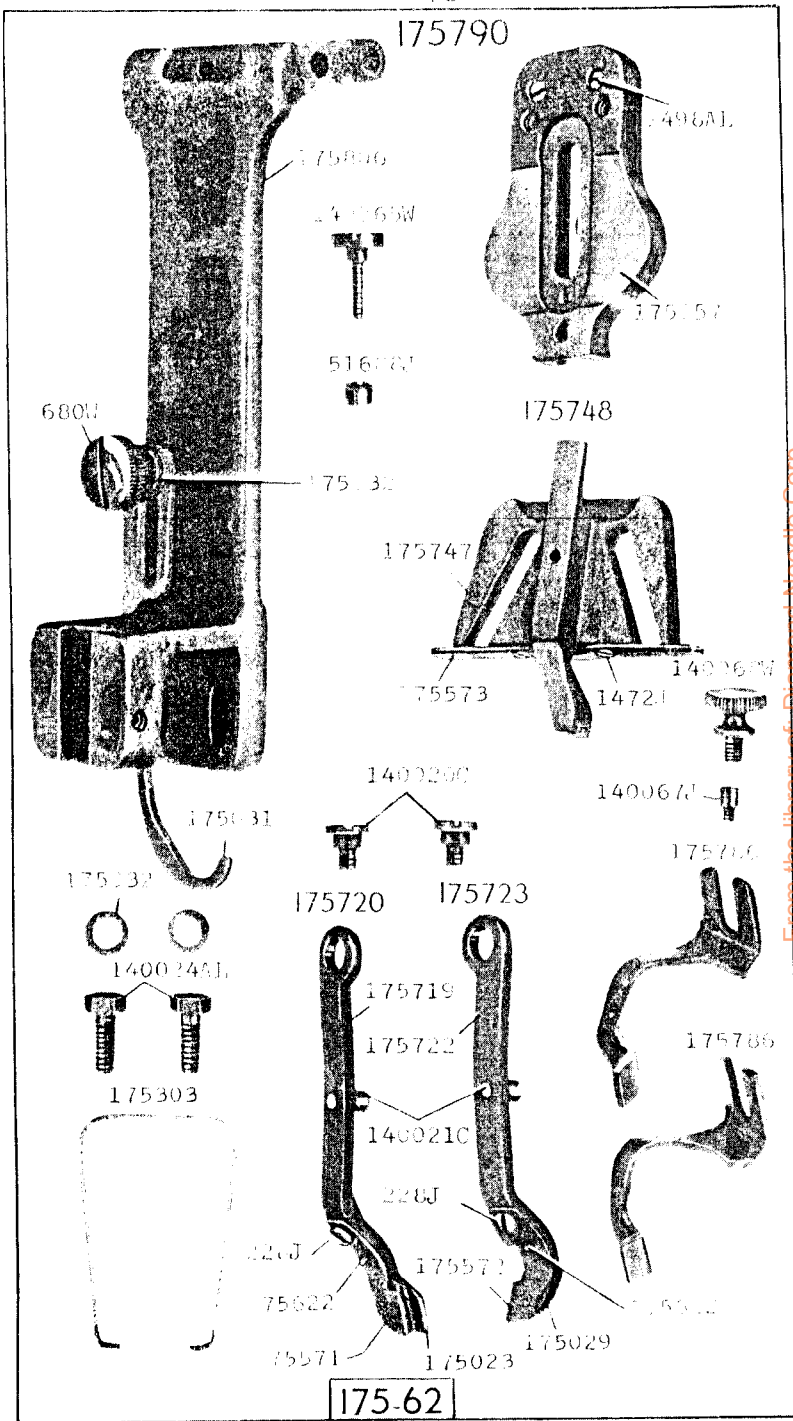
175-62

From the library of: Diamond Needle Corp

23353- 1/2



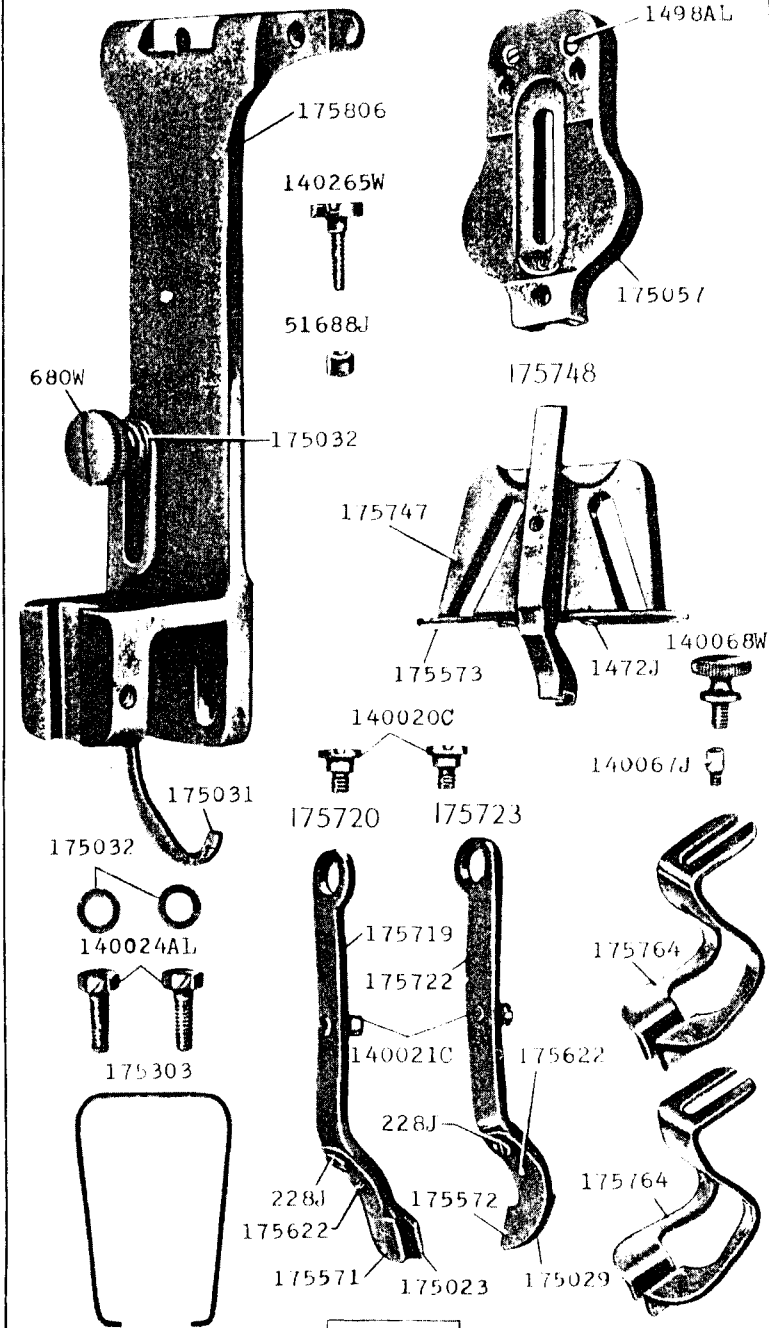
23354-2/3



From the library of: Diamond Needle Corp

23355-2/3

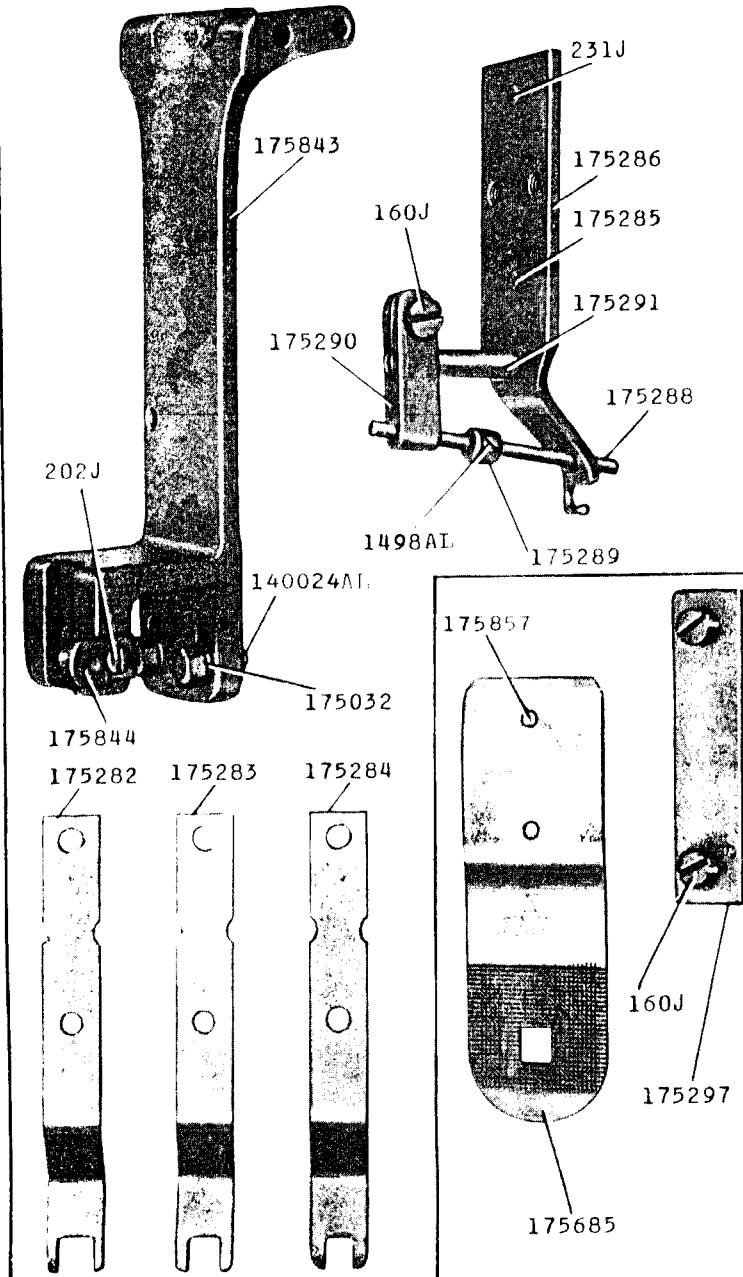
175795



175.62

23356-2/3

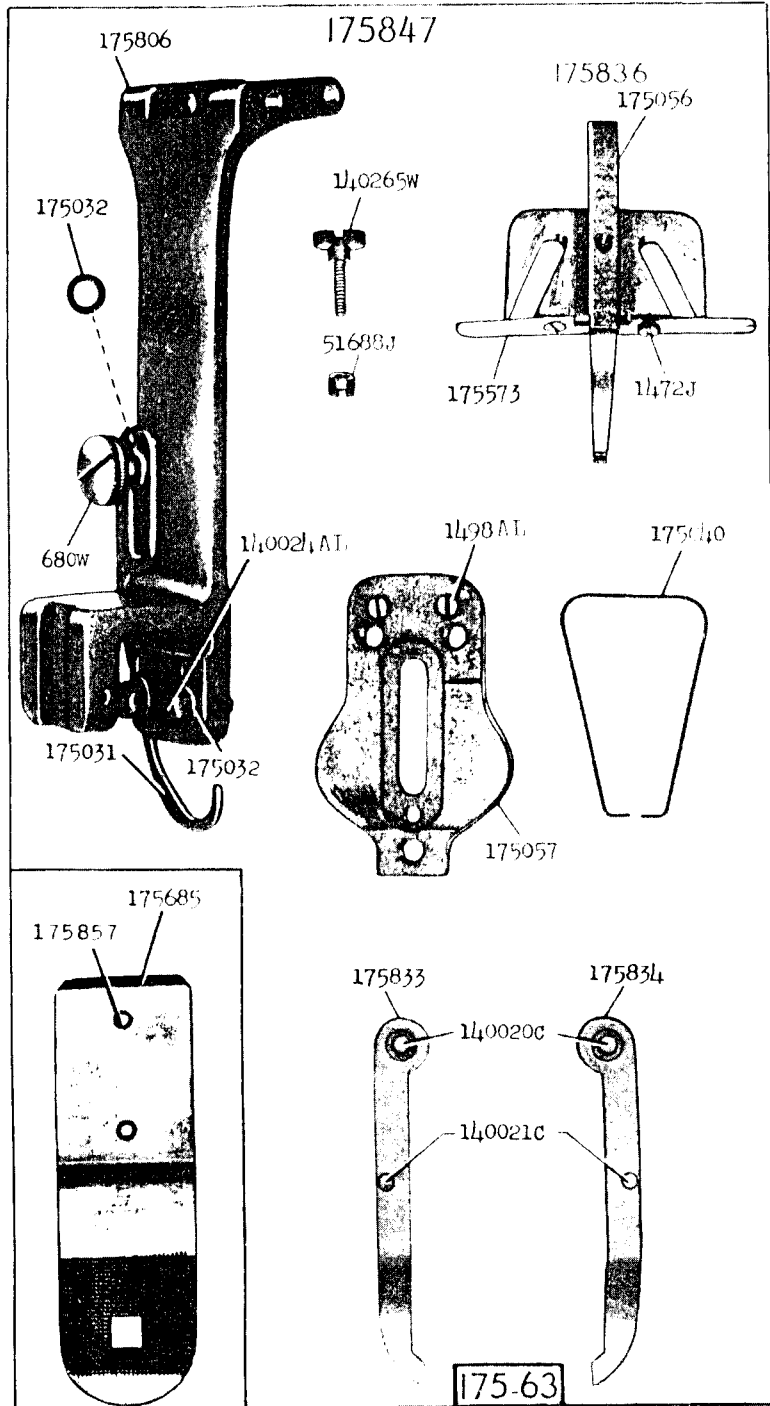
175842



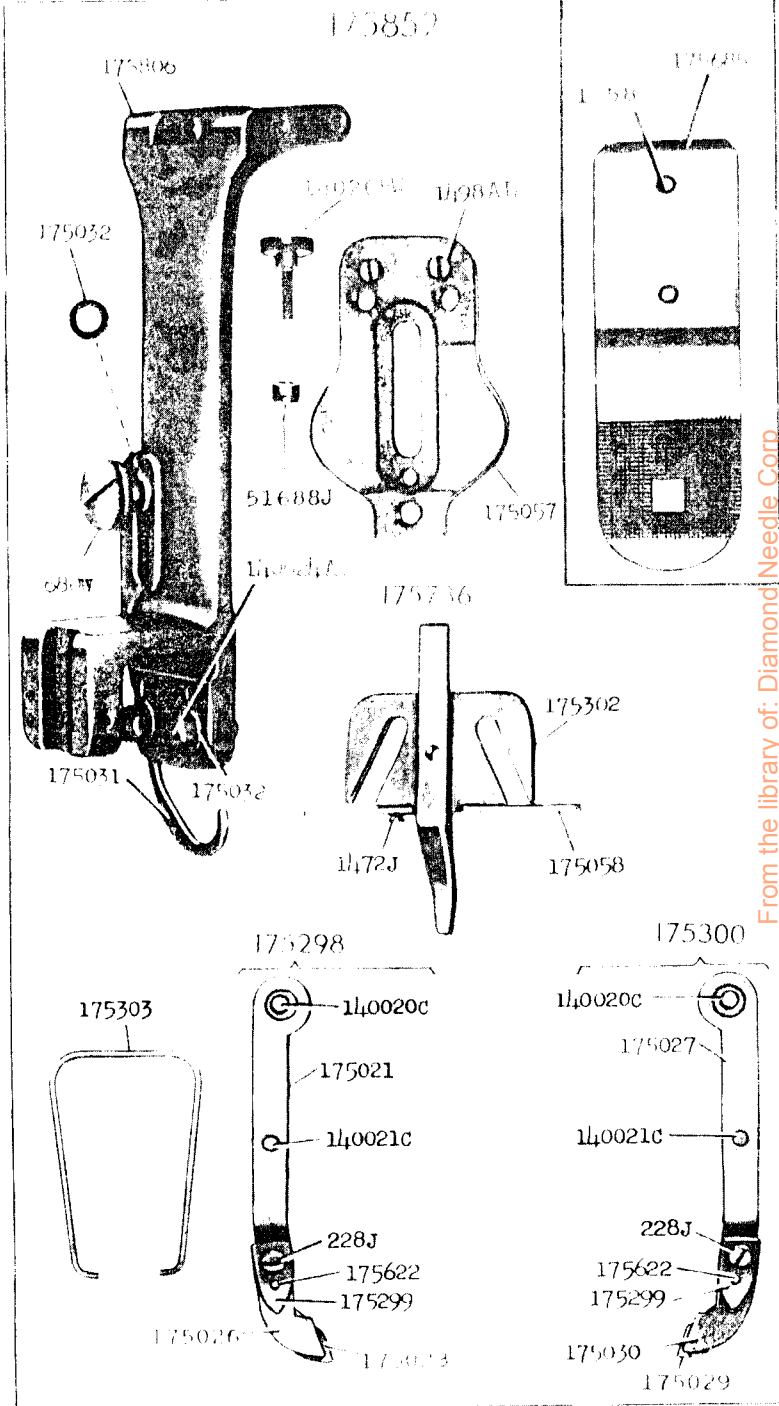
175.63

From the library of: Diamond Needle Corp

23357-2/3

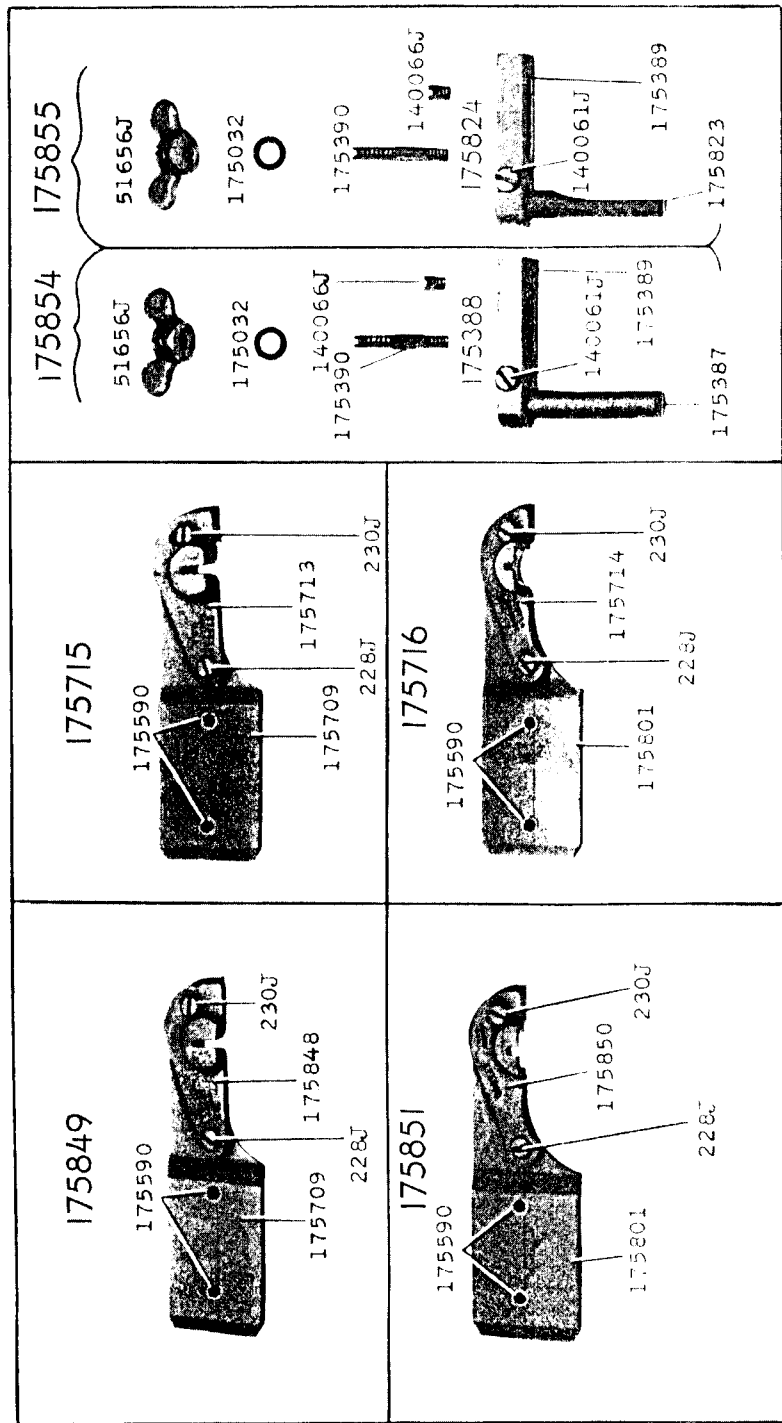


23358-2/3

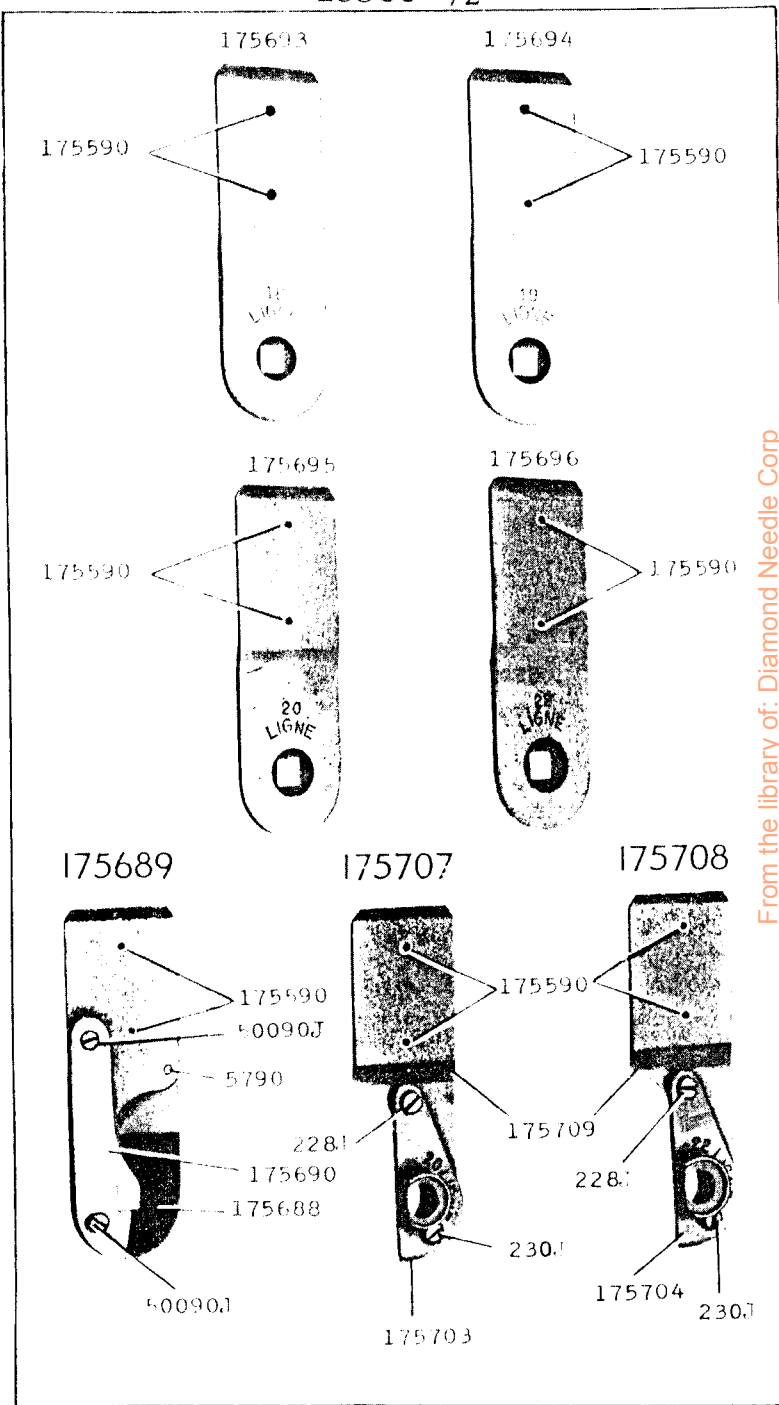


From the library of: Diamond Needle Corp

23359-1/2

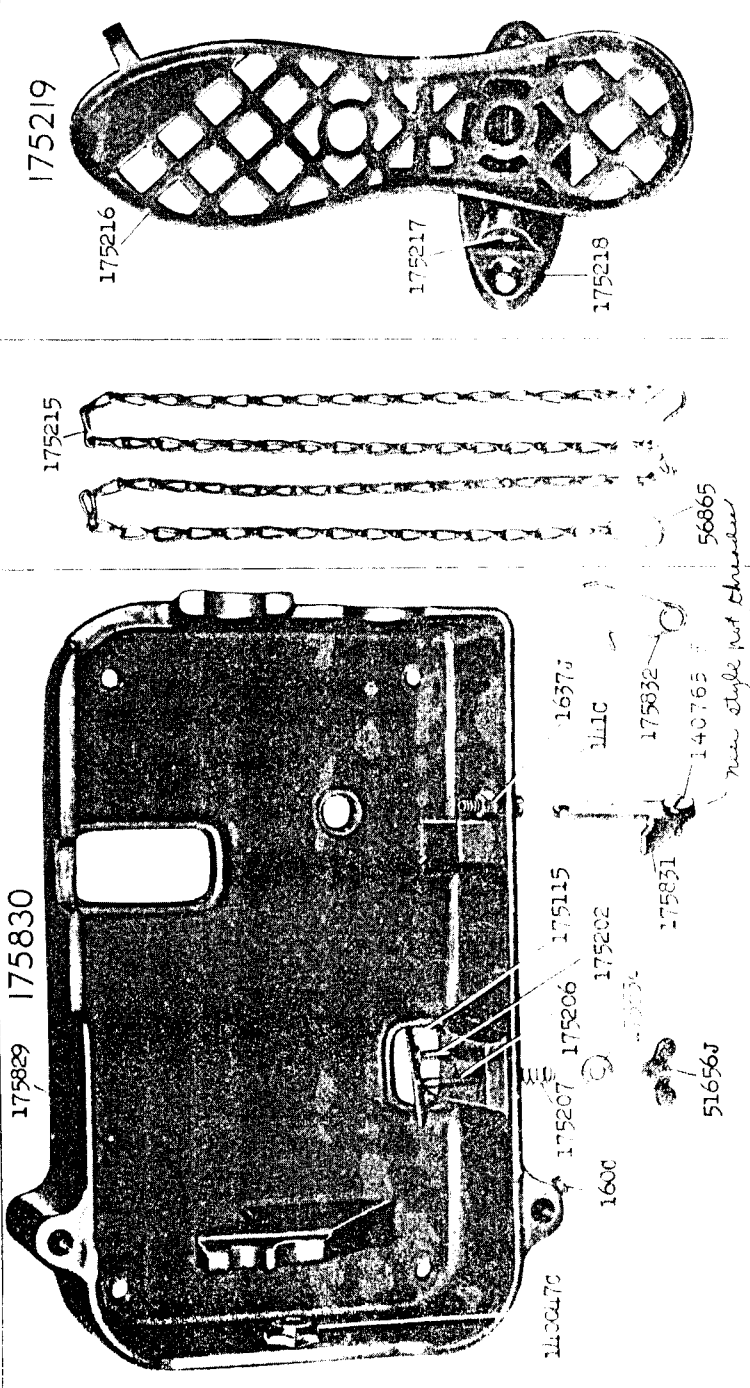


23360-1/2

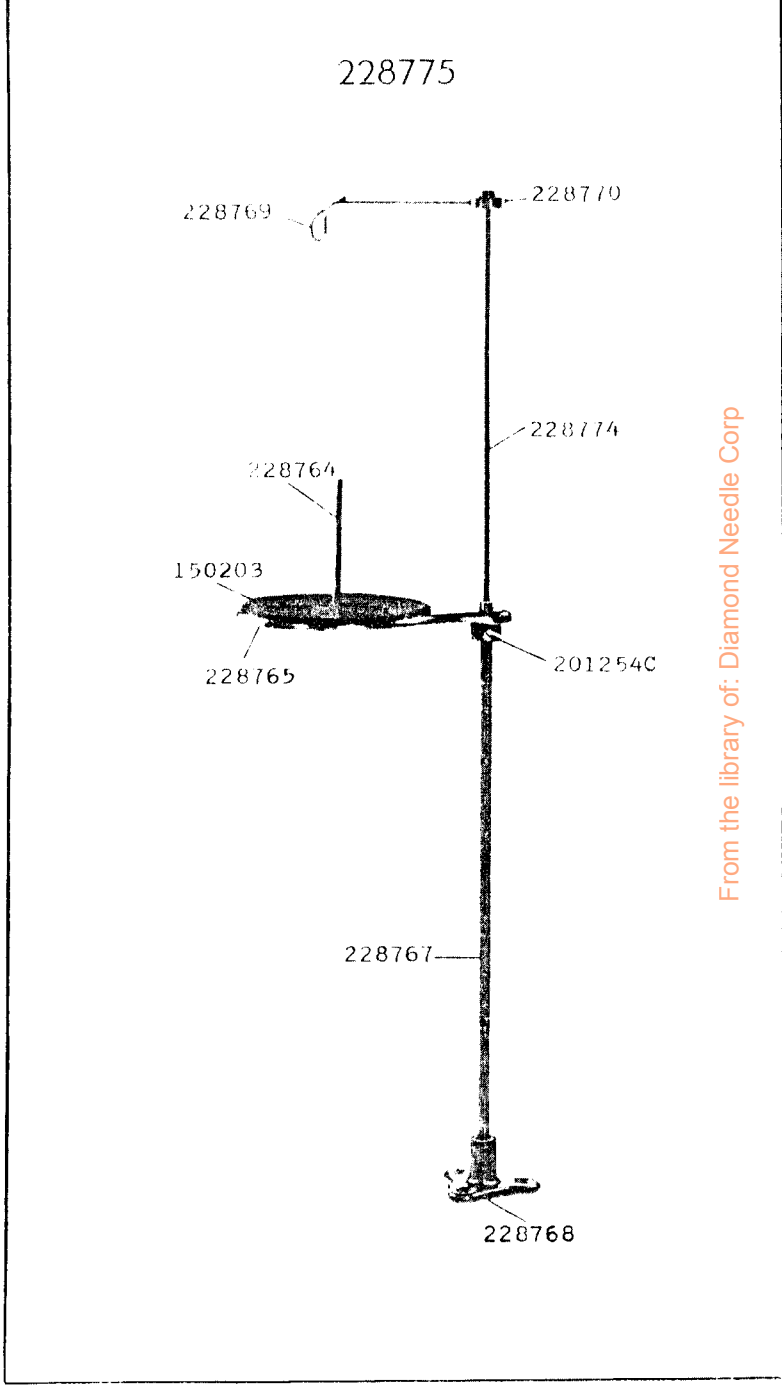


From the library of: Diamond Needle Corp

23361-1/3



23362-1/6



From the library of: Diamond Needle Corp